

The 777R assembly is a complete fuel filtration system that removes contaminants from fuel using the following two stage process:

Stage 1: As fuel enters the assembly, it moves through the centrifuge and spins off large solids and water droplets, which are heavier than fuel, and fall to the bottom of the collection bowl.

Stage 2: Proprietary Aquabloc® II cartridge elements repel water and remove contaminants from fuel down to 2 micron. They are waterproof and effective longer than water absorbing elements.

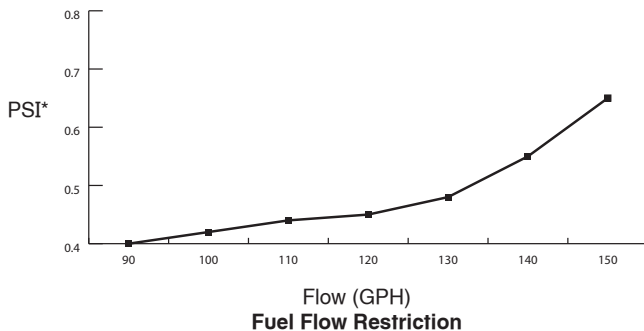
The 777R assembly features an internal thermostat to protect electric engine controls from overheating by the fuel heater and regulates fuel temperature automatically; warm fuel in the winter, cool fuel in the summer (thermostat setting: on at 40°F (4°C), off at 61°F (16°C).

This filter also offers temperature controlled fuel heating with return fuel or engine coolant; thermostat valve open to 95°F (35°C). Other features include a fuel primer port on top of the assembly, an internal check valve that guards against loss of prime, a heavy-duty integrated mounting bracket that is part of its one-piece billet machined body, a clear bottom bowl that allows the operator to check for water and solid contamination at a glance, and a self-venting drain. Optional accessories include a vacuum gauge and a water detection system.

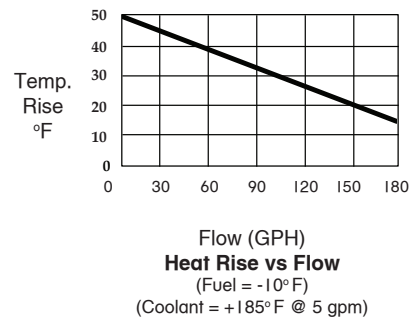
777R



Specifications	777R
Maximum Flow Rate	150 GPH (568 LPH)
Port Size (fuel & fluid heat)	½" NPT
Height	18.8 in. (47.8 cm)
Width	8.1 in. (20.6 cm)
Depth	6.8 in. (17.3 cm)
Weight (dry)	12.0 lb (5.4 kg)
Maximum Working Pressure	30 PSI (2.1 bar)
H₂O Removal Efficiency	99%
Maximum Temperature	-40° to +255°F (-40° to +124°C)



* PSI X 2.036 = inHg. / PSI X 6.895 = kPa



(Coolant = +185°F @ 5 gpm)



Parker Hannifin Corporation
 Racor Division, PO Box 3208
 Modesto, CA 95354 USA
 Phone: 800.344.3286
 Fax: 209.529.3278
 E-mail: racor@parker.com
 www.parker.com/racor



Mobile Fuel Filtration

777R

How to Order

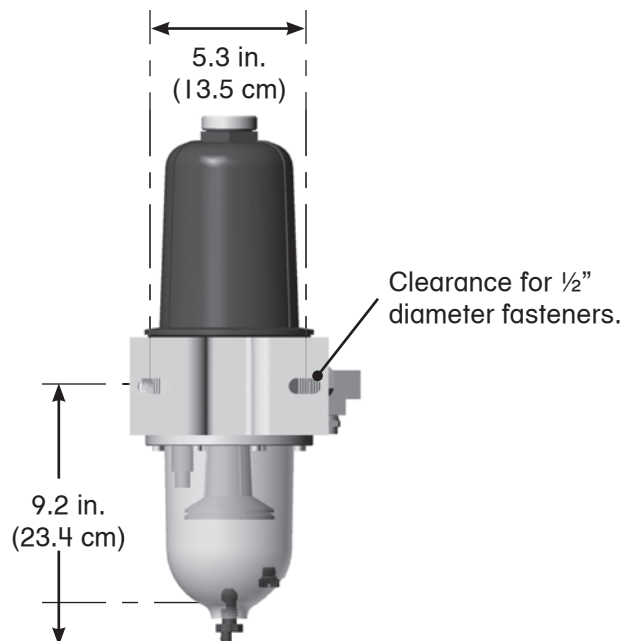
(The example below illustrates how part numbers are constructed.)

777R	I2	02
Basic Model Number	I2 must be in part # for 12 vdc heater (omit if not desired)	Specify: 02 for 2 micron 10 for 10 micron 30 for 30 micron

Replacement Elements		
2 micron (Final Filtration)	10 micron (Secondary Filtration)	30 micron (Primary Filtration)
6732S	6732T	6732P
Maintain 6 in. (15.2 cm) overhead clearance for servicing.		



Mounting Information



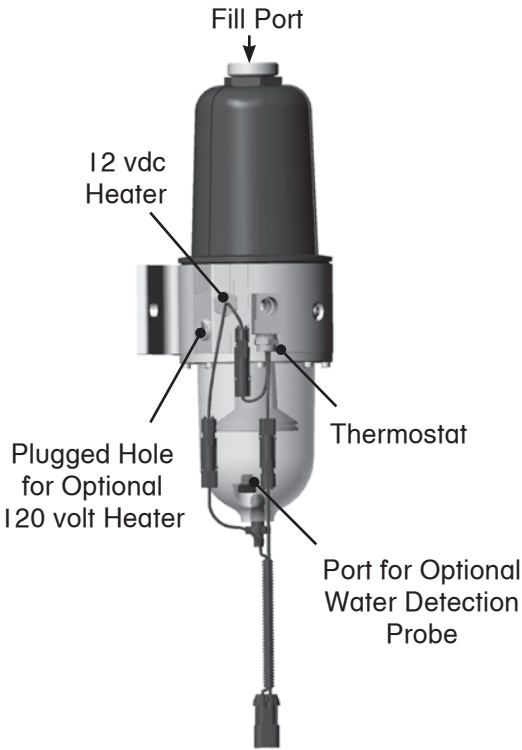
RACOR

Technical Support:
800.344.3286 ext. 7555
racortech@parker.com

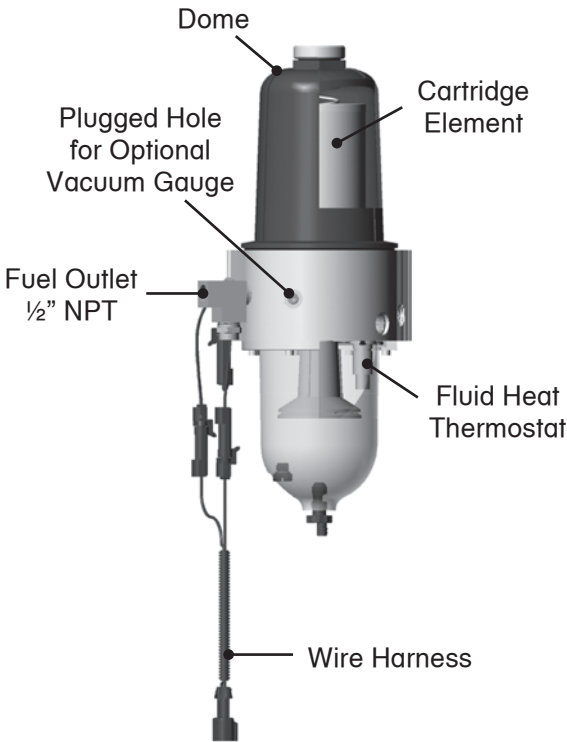
Mobile Fuel Filtration

1

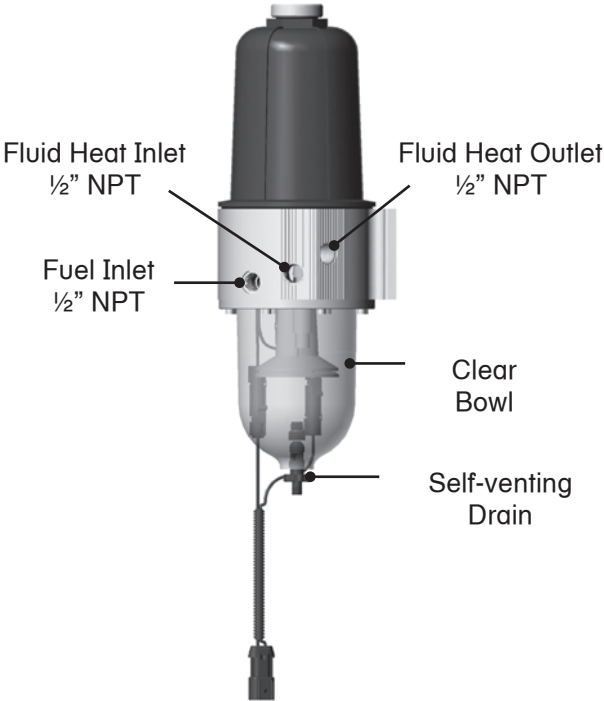
777R



Left Side View



Front View



Right Side View

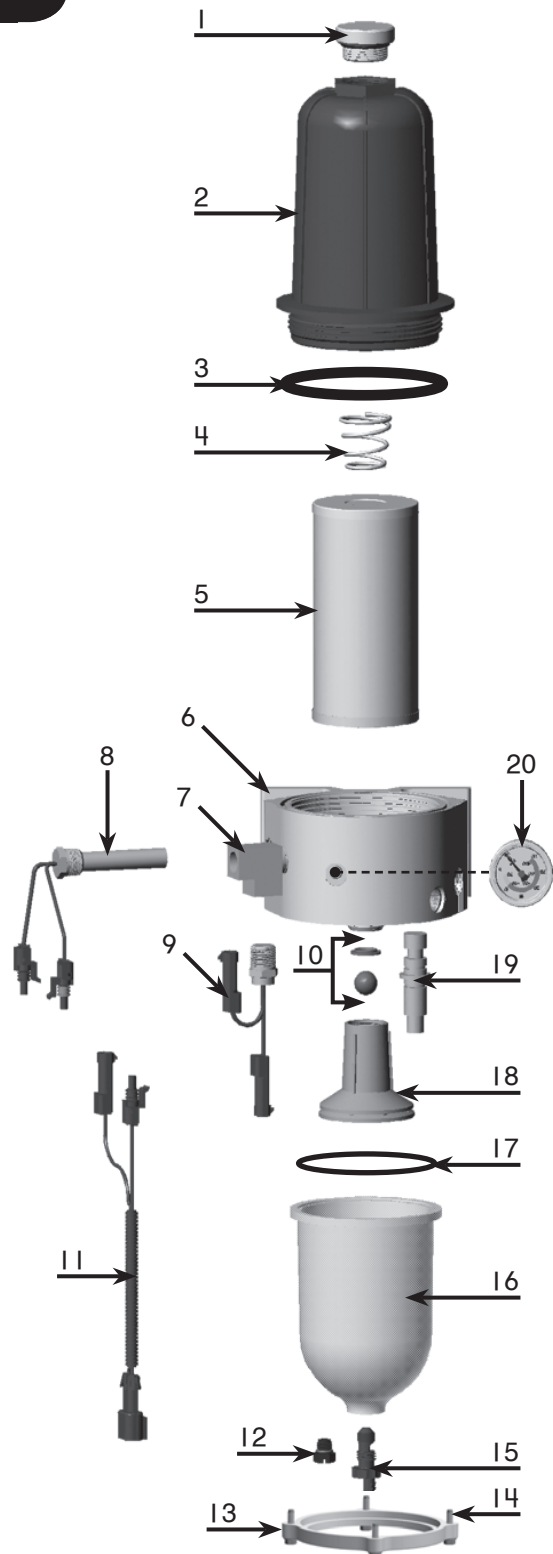


Mobile Fuel Filtration

777R

Replacement Parts

Part Number	Description
1. 6707	Priming Plug Kit (includes o-ring)
2. RK23007	Top Dome Kit (includes #'s 1 to 4)
3. 6706P	Dome Gasket (kit includes 3 gaskets)
4. RK6733	Element Spring
5. Replacement Element	
6732S	2 Micron
6732T	10 Micron
6732P	30 Micron
6. N/A	Machined Billet Body
7. RK012T-8-8	Tee Fitting
8. RK23017	Heater Assembly Kit (12 vdc, 180 watt)
9. RK23018	Thermostat Assembly Kit (12 vdc)
10. RK23046	Check Valve Kit (includes checkball and checkball gasket)
11. RK23019	Heater Wire Harness (12 vdc)
12. RK20126	Sensor Plug Kit (1/2" SAE)
13. RK23080	Bowl Retaining Ring Kit
14. RK11542	Capscrew Kit (4 capscrews)
15. RK30476	Self Venting Drain Kit
16. RK11-1938	Bottom Bowl Kit (includes #'s 12, 15, 16 & 17)
17. 11007	Bowl Seal Kit
18. N/A	Turbine Centrifuge Kit
19. RKSV700A	Thermostat Kit
20. RKVFG80	Vacuum Gauge Kit
Additional Parts (not shown)	
RK23045	Optional 120 volt Heater Kit
EH10	120 volt Power Cord (10')
RK32204	Optional Water Sensor Kit
23013	Installation Instructions



RACOR

Technical Support:
800.344.3286 ext. 7555
racortech@parker.com