

# CABRESTANTE ELÉCTRICO DE ELEVACIÓN DC2000

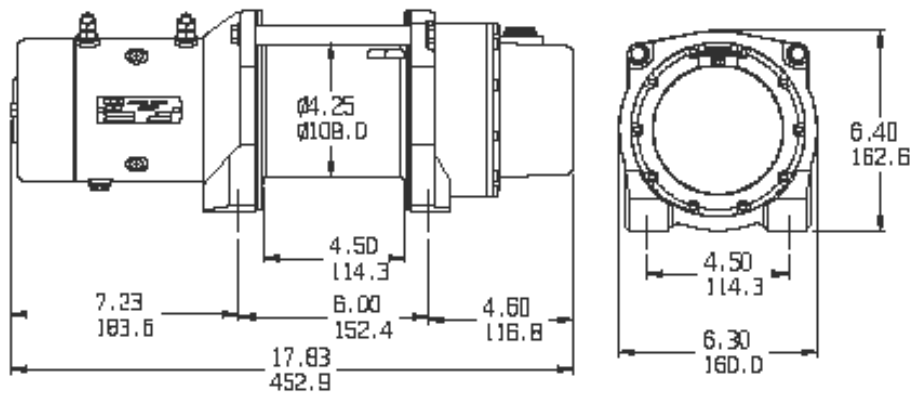


## CARACTERISTICAS:

- Capacidad de elevación: 890Kg.
- Motor magnético permanente de 12v ó 24v.
- Relación de engrane 216:1
- Cable de acero de 6mm x 15m
- Freno automático
- Mando de cable de 3,7m.
- Peso aproximado: 18 Kg.
- Diámetro tambor: 108mm.
- Diámetro lateral tambor: 159mm.
- Distancia entre laterales: 114mm.

(P/N: 33475) 12V.  
(P/N: 33476) 24V.

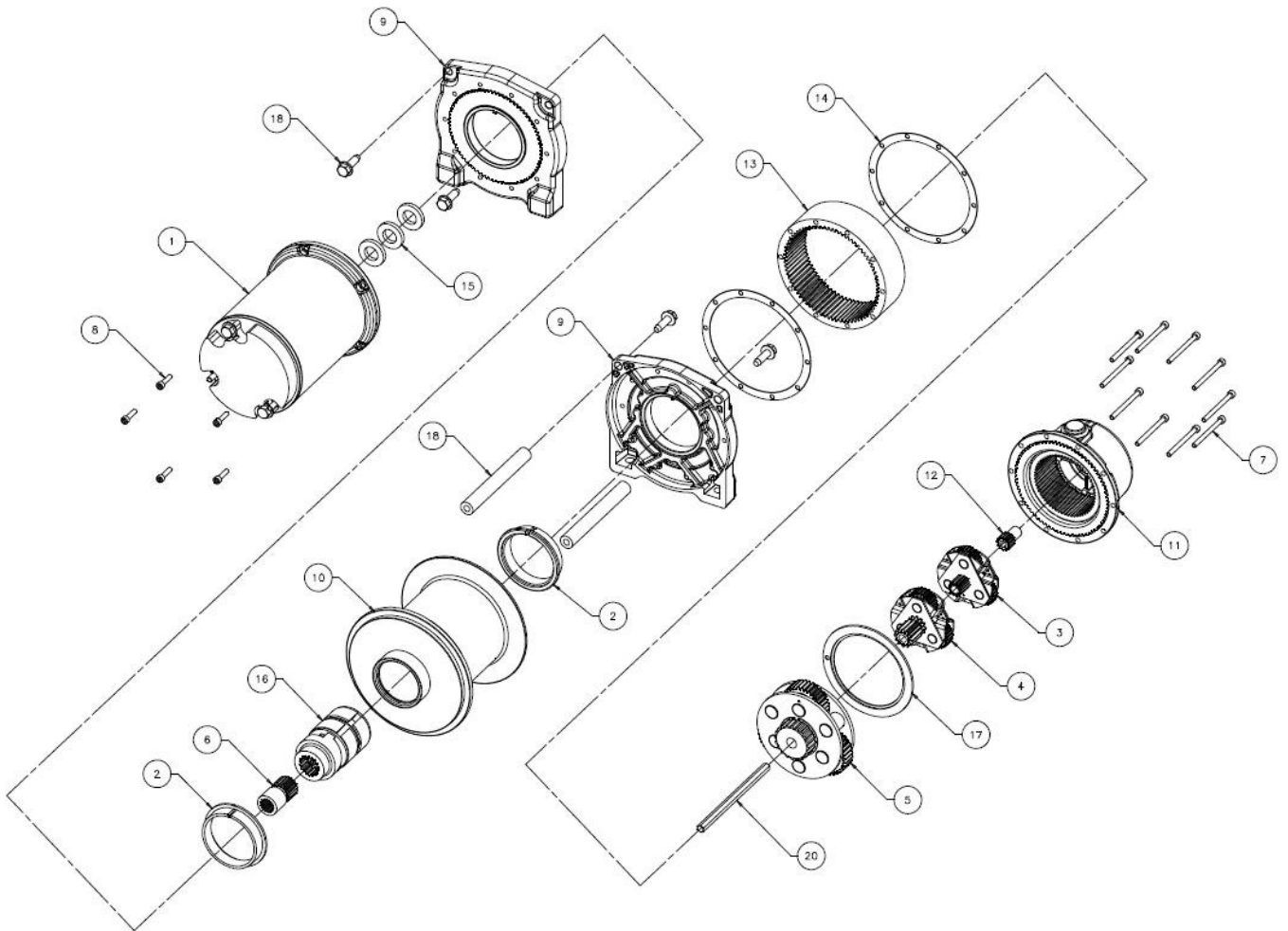
## DIMENSIONES: (en pulgadas y en mm.)





## Service Part Kit List: DC2000MF Hoist-12V (63899)

Item Reference	Description	Item/Kit No.
1	SVC KIT-MOTOR SPLINED-12V DC-4.8 PM	84210
2	BUSHING DRUM NYLON	13831
3	CARRIER ASSY, STAGE 1	28430
4	CARRIER ASSY, STAGE 2	28433
5	CARRIER ASSY, STAGE 3	28115
6	COUPLER, MOTOR/BRAKE	32149
7	CPSCR-#10-24 x 2-1/4-HEX SOCKET HEAD-PI	13850
8	CPSCR, SOC, 10-24 X 3/4, GR9	5553
9	(MTO)S/P DRUM SUPPORT,GEAR END	25986
10	DRUM, 2000-LF, 4.25 DIA	31618
11	SVC KIT END HOUSING SUBASSY, CLUTCH PLUG	85583
12	GEAR, SUN, 12 TOOTH, STAGE 1	13874
13	RING GEAR, ARG, 75 TOOTH	25308
14	HOUSING, GASKET	13848
15	SPACER, MOTOR	15271
16	(MTO)S/P BRAKE,2.13 ELECTRIC,BIASED	63548
17	WASHER, THRUST, NYLON, MIDRANGE	13826
18	SVC KIT TIE ROD, ALUIM, .625 X 4.92	85579
19	PARTS PACK, DC2000 HOIST	60049
20	SHAFT-DRIVE-HEX 5/16 X 5.63	84415





## Service Part Kit List: DC2000MF Hoist-24V (85190)

Item Reference	Description	Item/Kit No.
1	SVC KIT-MOTOR SPLINED-24V DC-4.8 PM	85480
2	BUSHING DRUM NYLON	13831
3	CARRIER ASSY, STAGE 1	28430
4	CARRIER ASSY, STAGE 2	28433
5	CARRIER ASSY, STAGE 3	28115
6	COUPLER, MOTOR/BRAKE	32149
7	CPSCR-#10-24 x 2-1/4-HEX SOCKET HEAD-PI	13850
8	CPSCR, SOC, 10-24 X 3/4, GR9	5553
9	(MTO)S/P DRUM SUPPORT,GEAR END	25986
10	DRUM, 2000-LF, 4.25 DIA	31618
11	SVC KIT END HOUSING SUBASSY, CLUTCH PLUG	85583
12	GEAR, SUN, 12 TOOTH, STAGE 1	13874
13	RING GEAR, ARG, 75 TOOTH	25308
14	HOUSING, GASKET	13848
15	SPACER, MOTOR	15271
16	(MTO)S/P BRAKE,2.13 ELECTRIC,BIASED	63548
17	WASHER, THRUST, NYLON, MIDRANGE	13826
18	SVC KIT TIE ROD, ALUIM, .625 X 4.92	85579
19	PARTS PACK, DC2000 HOIST	60049
20	SHAFT-DRIVE-HEX 5/16 X 5.63	84415

