

SILVERLINE®

2100W Pressure Washer 165bar Max

FR Nettoyeur haute pression, 2 100 W

DE Hochdruckreiniger, 2100 W

ES Hidrolimpiadora, 2100 W

IT Idropulitrice 2100 W

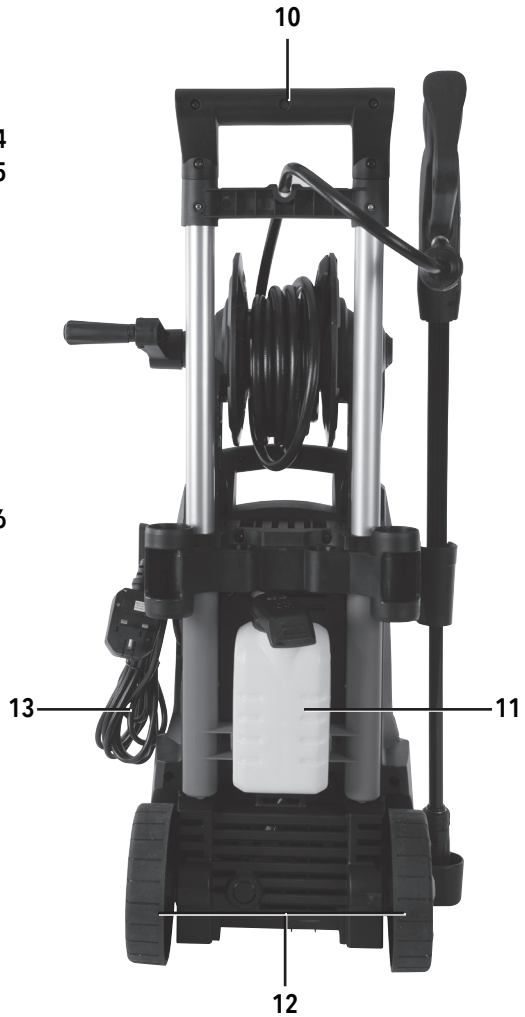
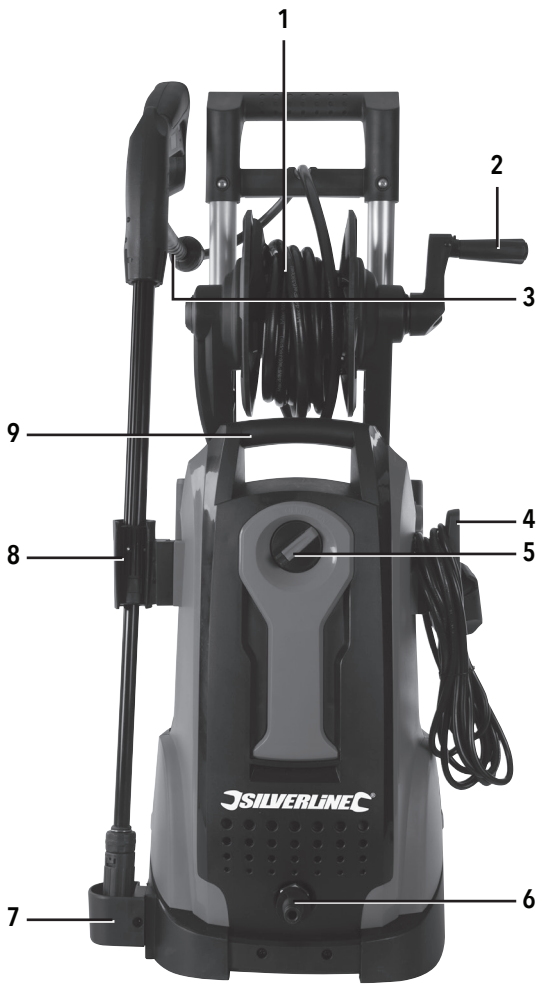
NL 2100 W hogedrukreiniger

PL Myjka wysokociśnieniowa 2100 W



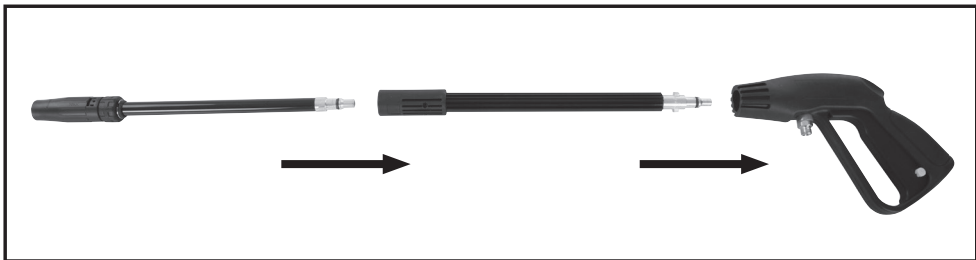
Register online: silverlinetools.com



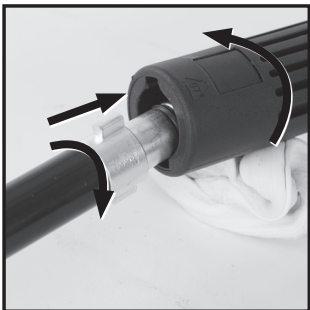




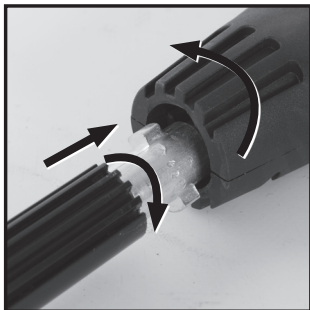
A



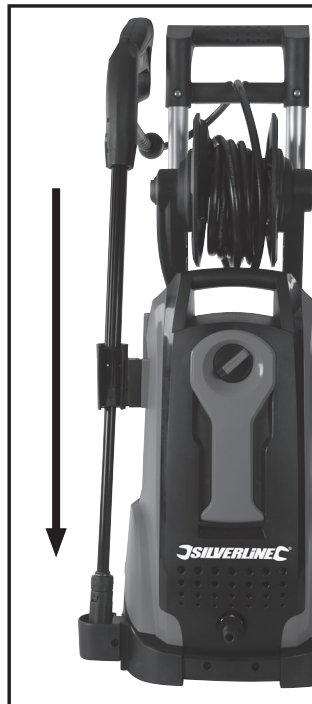
B



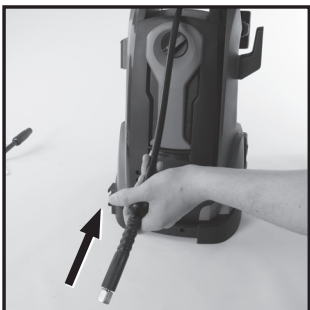
C



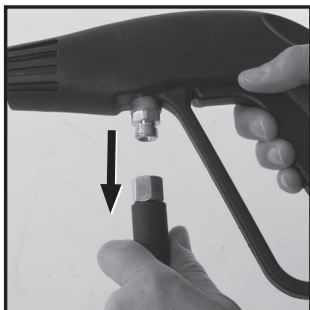
D



E



F



G



H



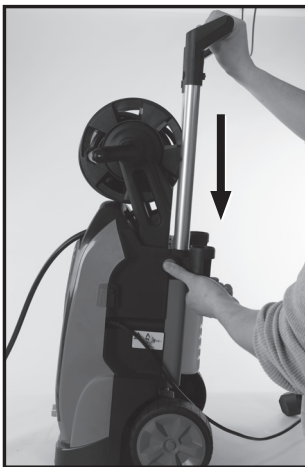
I



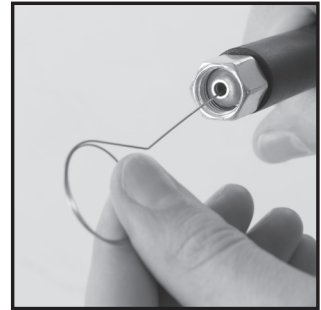
J



K



L



M

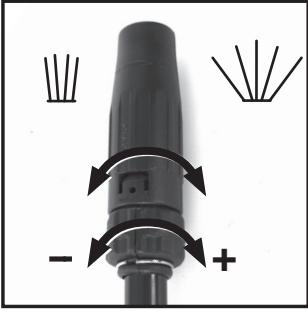


Fig. I

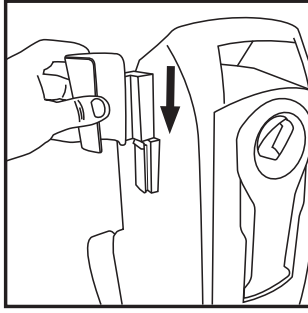


Fig. II

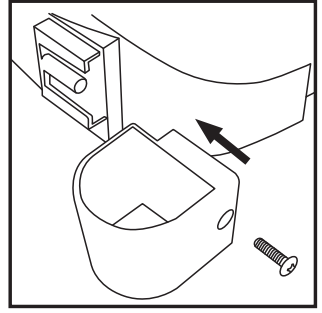


Fig. III

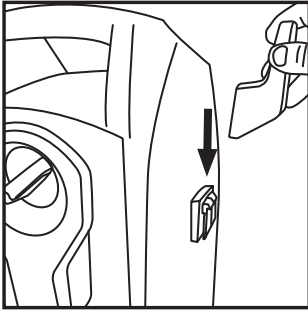


Fig. IV

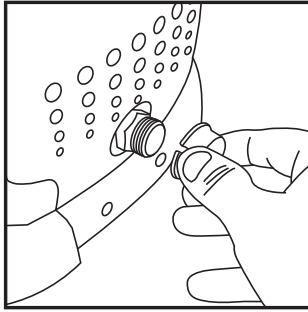


Fig. V

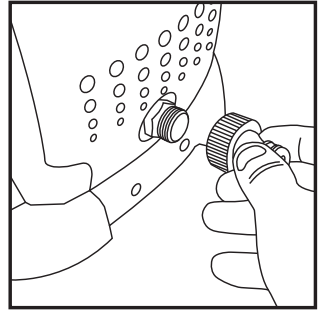
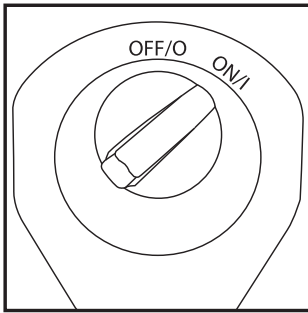
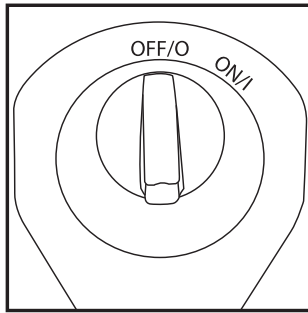


Fig. VI



English	08
Français	14
Deutsch.....	20
Español.....	26
Italiano	32
Nederlands	38
Polski	44

Introduction

Thank you for purchasing this Silverline tool. This manual contains information necessary for safe and effective operation of this product. This product has unique features and, even if you are familiar with similar products, it is necessary to read this manual carefully to ensure you fully understand the instructions. Ensure all users of the tool read and fully understand this manual.

Description of Symbols

The rating plate on your tool may show symbols. These represent important information about the product or instructions on its use.



Wear hearing protection.
Wear eye protection.
Wear breathing protection.
Wear head protection.



Wear hand protection.



Read instruction manual.



Caution!



Risk of electrocution!



Class I construction (protective earth)



According to the applicable regulations, the appliance must never be used on the drinking water supply without a system separator



Conforms to relevant legislation and safety standards



Environmental Protection
Waste electrical products should not be disposed of with household waste. Please recycle where facilities exist. Check with your local authority or retailer for recycling advice

Technical Abbreviations Key

V	Volts
~, AC	Alternating current
A, mA	Ampere, milli-Amp
n0	No load speed
°	Degrees
∅	Diameter
Hz	Hertz
W, kW	Watt, kilowatt
/min or min ⁻¹	Operations per minute

Specification

Voltage	230-240V~50Hz
Power	2100W
Working pressure (Bar)	110
Max pressure (Bar)	165
Working flow rate	6.0L/min
Maximum flow rate	7.2L/min
High pressure hose length	5m
Detergent tank capacity	1L
Detergent ratio	Variable
Inlet water temperature range	5-50°C
Inlet water pressure	4bar
Protection class	IPX5
Ingress protection	IPX5
Power cord length	5m
Dimensions (L x W x H)	330 x 360 x 890mm
Weight	2.0kg

As part of our ongoing product development, specifications of Silverline products may alter without notice.

Sound & vibration information

According to Machinery Directive 2006/42/EC:

Sound pressure L_{pA}	76.7dB(A)
Sound power L_{WA}	89.71dB(A)
Uncertainty K	2.5dB
Weighted vibration a_w	<2.5m/s ²

According to Outdoor Noise Directive 2000/14/EC:

Guaranteed sound power L_{WA}	93dB(A)
---------------------------------	---------

The sound intensity level for the operator may exceed 85dB(A) and sound protection measure are necessary.

WARNING: Always wear ear protection where the sound level exceeds 85dB(A) and limit the time of exposure if necessary. If sound levels are uncomfortable, even with ear protection, stop using the tool immediately and check the ear protection is correctly fitted and provides the correct level of sound attenuation for the level of sound produced by your tool.

WARNING: User exposure to loud vibration can result in loss of sense of touch, numbness, tingling and reduced ability to grip. Long-term exposure can lead to a chronic condition. If necessary, limit the length of time exposed to vibration and use anti-vibration gloves. Do not operate the tool with hands below a normal comfortable temperature, as vibration will have a greater effect. Use the figures provided in the specification relating to vibration to calculate the duration and frequency of operating the tool.

Sound and vibration levels in the specification are determined according to international standards. The figures represent normal use for the tool in normal working conditions. A poorly maintained, incorrectly assembled, or misused tool, may produce increased levels of noise and vibration.

www.osha.europa.eu provides information on sound and vibration levels in the workplace that may be useful to domestic users who use tools for long periods of time.

Carefully read and understand this manual and any label attached to the tool before use. Keep these instructions with the product for future reference. Ensure all persons who use this product are fully acquainted with this manual.

Even when used as prescribed it is not possible to eliminate all residual risk factors. Use with caution. If you are at all unsure of the correct and safe manner in which to use this tool, do not attempt to use it.

General Safety

⚠️WARNING: Read all safety warnings, instructions, illustrations and specifications provided with this appliance. Failure to follow all instructions listed below may result in electric shock, fire and/or serious injury.

Save all warnings and instructions for future reference.

The term "appliance" in the warnings refers to your mains-operated (corded) appliance or battery-operated (cordless) appliance.

1) Work area safety

- a) **Keep work area clean and well lit.** *Cluttered or dark areas invite accidents.*
- b) **Do not operate appliances in explosive atmospheres, such as in the presence of flammable liquids, gases or dust.** *Appliances create sparks which may ignite the dust or fumes.*
- c) **Keep children and bystanders away while operating an appliance.** *Distractions can cause you to lose control.*

2) Electrical safety

- a) **Appliance plugs must match the outlet. Never modify the plug in any way. Do not use any adapter plugs with earthed (grounded) appliances. Unmodified plugs and matching outlets will reduce risk of electric shock.**
- b) **Avoid body contact with earthed or grounded surfaces, such as pipes, radiators, ranges and refrigerators.** *There is an increased risk of electric shock if your body is earthed or grounded.*
- c) **Do not abuse the cord. Never use the cord for carrying, pulling or unplugging the appliance. Keep cord away from heat, oil, sharp edges or moving parts.** *Damaged or entangled cords increase the risk of electric shock.*
- d) **When operating an appliance outdoors, use an extension cord suitable for outdoor use.** *Use of a cord suitable for outdoor use reduces the risk of electric shock.*
- e) **If operating an appliance in a damp location is unavoidable, use a residual current device (RCD) protected supply.** *Use of an RCD reduces the risk of electric shock.*

3) Personal safety

- a) **Stay alert, watch what you are doing and use common sense when operating an appliance. Do not use an appliance while you are tired or under the influence of drugs, alcohol or medication.** *A moment of inattention while operating appliances may result in serious personal injury.*
- b) **Use personal protective equipment. Always wear eye protection.** *Protective equipment such as a dust mask, non-skid safety shoes, hard hat or hearing protection used for appropriate conditions will reduce personal injuries.*
- c) **Prevent unintentional starting. Ensure the switch is in the OFF-position before connecting to source and/or battery pack, picking up or carrying the appliance. Carrying appliances with your finger on the switch or energising appliances that have the switch ON invites accidents.**
- d) **Remove any adjusting key or wrench before turning the appliance ON.** *A wrench or a key left attached to a rotating part of the appliance may result in personal injury.*
- e) **Do not overreach. Keep proper footing and balance at all times.** *This enables better control of the appliance in unexpected situations.*
- f) **Do not let familiarity gained from frequent use of appliances allow you to become complacent and ignore appliance safety principles.** *A careless action can cause severe injury within a fraction of a second.*

4) Appliance use and care

- a) **Do not force the appliance. Use the correct appliance for your application.** *The correct appliance will do the job better and safer at the rate for which it was designed.*
- b) **Do not use the appliance if the switch does not turn it ON and OFF.** *Any appliance that cannot be controlled with the switch is dangerous and must be repaired.*
- c) **Disconnect the plug from the source and/or remove the battery pack, if detachable, from the appliance before making any adjustments, changing accessories, or storing appliances.** *Such preventive safety measures reduce the risk of starting the appliance accidentally.*

- d) **Store idle appliances out of the reach of children and do not allow persons unfamiliar with the appliance or these instructions to operate the appliance.** *Appliances are dangerous in the hands of untrained users.*
- e) **Maintain appliances and accessories. Check for misalignment or binding of moving parts, breakage of parts and any other condition that may affect the appliance's operation.** *If damaged, have the appliance repaired before use. Many accidents are caused by poorly maintained appliances.*
- f) **Use the appliance, accessories and appliance bits, etc. in accordance with these instructions, taking into account the working conditions and the work to be performed.** *Use of the appliance for operations different from those intended could result in a hazardous situation.*
- g) **Keep handles and grasping surfaces dry, clean and free from oil and grease.** *Slippery handles and grasping surfaces do not allow for safe handling and control of the appliance in unexpected situations.*
- 5) **Service**
 - a) **Have your appliance serviced by a qualified repair person using only identical replacement parts.** *This will ensure that the safety of the appliance is maintained.*

Pressure Washer Safety

- Do not operate this appliance in the rain. Keep all electrical connections dry. Do not allow the machine to become wet. Never allow water to enter ventilation holes
- Always connect a backflow preventer (also called a non-return valve) between pressure washer and potable water mains to prevent a backflow contaminating your water supply. Alternatively, connect the pressure washer to a water butt or other stored water supply
- Do not attempt to use this machine in temperatures below 0°C
- Always connect a 'continuous flow' clean water supply to the pressure washer. Running the pressure washer dry, or with dirty water, will cause permanent damage to the pump
- Never connect the pressure washer to a hot water supply; this will cause the pump to malfunction and could result in permanent damage
- Ensure that the water supply to the pressure washer is at a constant pressure. If the water supply is 'shared' by another appliance (e.g. washing machine), ensure that the other appliance is switched OFF
- The pressure washer should always be used in an upright position
- Be aware that the lance will produce a recoil force when the pressure washer is operated. Hold the lance securely
- Never direct the water jet at people or animals. The water jet is extremely powerful, and can cause serious injury. Do not direct the water jet towards the pump body, or other electrical equipment
- Handle the lance with care, do not allow the nozzle to strike the ground. Do not allow the hoses to be twisted, crushed, or strained
- Do not attempt to pressure wash any material suspected to contain asbestos
- When using detergents with pressure washers or cleaning oil and grease from surfaces, take responsibility for any contaminated waste water you may produce. Always consider the environment and the risk of polluting streams and other watercourses, plus the possibility of contaminants accumulating in the ground and soil. Try to use detergents sparingly—they are not always necessary. Contact your local environmental agency for how to deal with such waste water legally and responsibly

Product Familiarisation

1.	High Pressure Hose Reel
2.	Hose Reel Handle
3.	Hose Connector
4.	Power Cord Hook
5.	ON/OFF Switch
6.	Water Inlet
7.	Nozzle Rest
8.	Lance Bracket
9.	Front Handle
10.	Telescopic Rear Handle
11.	Detergent Bottle
12.	Wheels
13.	Power Cord
14.	Lance Handle Bayonet Socket
15.	Lance High Pressure Hose Connector
16.	Lance Handle Grip
17.	Trigger
18.	Trigger Lock
19.	Nozzle
20.	Pressure Adjustment
21.	Nozzle Bayonet Connector
22.	Lance Extension Bayonet Socket
23.	Lance Extension Bayonet Connector
24.	Cleaning Pin
25.	Inlet Hose Connector
26.	Rear Handle Release Button

Intended Use

Pressure washer for general, light to medium duty cleaning tasks on vehicles, buildings and other suitable surfaces, using a jet of cold, pressurised water, with or without detergent.

Unpacking Your Tool

- Carefully unpack and inspect your product. Fully familiarise yourself with all its features and functions
- Ensure that all parts of the product are present and in good condition. If any parts are missing or damaged, have such parts replaced before attempting to use this product

Before Use

- Always check all parts and attachments are secure, and that hoses are not kinked or obstructed
- Always wear appropriate personal protective equipment for the job at hand. Use of this appliance requires safety goggles and waterproof clothing
- Always use an RCD when connecting a pressure washer to the mains with a tripping current of no more than 30mA, and a delay in operating of no more than 30ms
- Make sure mains connection points are out of reach of the pressure washer water spray and any water that may collect on surrounding surfaces
- Only use a mains extension cable suitable for outdoor use and capable of carrying the required current for this product. The cable must be protected against water ingress and maintain water-tight connections where it connects to the pressure washer

- This product must be earthed and any extension cables used must have an earth connection
- Always use the pressure washer vertically and make sure it is used on a flat, level surface

Assembly

- Do not connect the pressure washer to the water or electrical supply until fully assembled and ready for use
- Remove all packaging materials from the product

Hooks & holders

- Slide the Lance Bracket (8) down onto the side clip (Fig. I)
- Slide the Nozzle Rest (7) back onto the clip (Fig. II) and fix with the supplied screw
- Slide the Power Cord Hook (4) down onto the side clip (Fig. III)

Lance

- Assemble the Lance by connecting the Nozzle (19) shaft to the lance extension shaft, and these to the lance handle (Image A)
- To do this, insert the Nozzle Bayonet Connector (21) into the Lance Extension Bayonet Socket (22), then push and rotate to lock into place (Image B)
- Insert the Lance Extension Bayonet Connector (23) into the Lance Handle Bayonet Socket (14), then push and rotate to lock into place (Image C)

Note: When not in use, the assembled lance can be held in the Lance Bracket (8) with the Nozzle (19) in the Nozzle Rest (7) (Image D).

High pressure hose

1. Carefully pull out a length of hose from the High Pressure Hose Reel (1) (Image E)
2. Attach the end of the hose to the Lance High Pressure Hose Connector (15) (Image F) and screw the nut on tight

WARNING: If the high pressure hose is damaged it could burst and cause injury. A damaged hose must be replaced, not repaired. Inspect regularly and prevent the hose from coming into contact with sharp objects or rough surfaces. After use, always wind the hose back in using the Hose Reel Handle (2) (Image G then H).

Connecting to water supply

WARNING: When connecting a pressure washer to a normal domestic water supply, it is important a non-return valve is fitted to the hose (also called backflow preventer) to ensure the pressure washer cannot contaminate your water supply if there is a backflow.

1. Remove the plastic cap from the Water Inlet (6) (Fig. IV) and check that the filter inside is clear of debris or other material; clean if required
2. Fit the Inlet Hose Connector (25) (Fig. V) and tighten by hand
3. Connect a hose from your water supply to the Inlet Hose Connector

Notes:

- The specification lists suitable water inlet pressures. A typical, normal UK household water supply can range from 1–8bar pressure but 2–5bar is more typical. Do not exceed the maximum water pressure stated in the specification
- If you do not know or are unable to measure the water pressure, keep the pressure low to prevent damage to the pressure washer. Aim to set the pressure at mid-point between the lowest and highest pressure accepted by the pressure washer. If preferred, a third party water pressure gauge is available that connects directly to the tap. This will allow the water pressure to be set more accurately
- Do not connect to a hot water supply. This will prevent the pump from cooling and may damage the seals over time
- It is important that a good water connection is maintained while operating a pressure washer as the pump will be damaged if run without water. Make sure the connections are secure before switching on the pressure washer

Connecting to other water sources

Note: The pump featured in this pressure washer features a self-priming feature that allows use of other water sources typically a water butt or other container of captured rain water or similar.

- Ensure the water supply is clean and filtered before entering the pressure washer. Ensure there is no sediment
- For water butts, where the output is at the bottom, gravity will provide some pressure to assist the pressure washer
- The hose to the water supply should not exceed 3m in length and the diameter should not be less than 19mm or ¾"

Filling the detergent bottle

- Remove the cap on the Detergent Bottle (11) and fill with a pressure washer-compatible detergent if required (Image I)
- The pressure washer is designed to dispense detergent on the low pressure setting, and dispense clear liquid on the high pressure setting
- The detergent ratio is variable depending on the pressure adjuster setting

Adjusting the telescopic rear handle

- Press the Rear Handle Release Button (26) and raise or lower the Telescopic Rear Handle (10) (Image K)

Operation

Switching ON

- Always open the water supply tap before switching the pressure washer ON, to protect the pump from damage
- Set the Trigger Lock (18) to prevent the Trigger (17) from being pressed (Image J)
- Connect the pressure washer to the mains power supply and move the ON/OFF Switch (5) to ON (Fig. VI). The pump will operate immediately to build up pressure and each time the Trigger is pressed to restore water pressure. When first switched ON, the pump may operate continuously until the trigger is pressed. Do not allow this to exceed 3 minutes. Press and release the Trigger to deactivate this mode and ideally start using within 2 minutes of switching ON
- It is important that all air is bled from the hoses and lance before using the pressure washer. Disable the Trigger Lock and squeeze and hold the Trigger until water is sprayed in a steady stream. This may take up to 2 minutes or possibly longer on first use

Switching OFF

- When you have finished using the appliance, always perform the following steps:

1. Switch OFF the appliance and disconnect from the mains power supply
2. Turn OFF the water supply
3. Squeeze the Trigger (17) and allow all residual water pressure to bleed
4. Disconnect the water supply
5. Drain all water from the appliance and hoses, and store in a dry place

WARNING: Do not switch OFF the water supply before turning OFF the pump as the pump must not be run without water.

WARNING: Never disconnect the high pressure hose at either end without depressurising first.

Using your pressure washer

- To spray water, ensure you are holding the lance securely with both hands and squeeze the Trigger (17). Beware of slight recoil
- To disable the Trigger, use the Trigger Lock (18) when necessary (Image J)
- The Nozzle (19) is adjustable for a wide fan pattern and a strong narrow jet by rotating (Image M)
- Experiment with narrower patterns and different spray distances until the correct strength is achieved. Release the Trigger when changing the setting
- Use the Pressure Adjustment (20) (Image M) to adjust pressure output. Release the Trigger when changing the setting
- The pressure washer will protect the motor from over-heating if used continuously for too long, and will prevent the Trigger from operating. It will reset after cooling for a few minutes. It is recommended to have a work pattern that prevents the over-heating protection feature activating by not holding down the trigger continuously
- If you are unsure of the durability of the surface that is being cleaned, avoid using the narrow jet setting. Reduce the pressure and start at a longer distance from the surface
- It is recommended to hold the lance at an angle of 45° to the surface being cleaned. This will give maximum control, and most effective cleaning
- Always test-clean an inconspicuous area first to check that the cleaning process or detergent will not damage the surface being cleaned, especially mortar between bricks or patio slabs, which can be easily removed with a pressure washer if not careful

Using detergent

- Many products are available that are suitable for pressure washers, including patio cleaners, glass cleaners, car shampoos, traffic film removers, wood and plastic cleaning solutions, and general pressure washer detergents.
- Fill the Detergent Bottle (11) with the required detergent solution
- Dispense the detergent on a low pressure setting by adjusting the Pressure Adjustment (20) (Image M), which is marked with '-' and '+'
- Increase the pressure with the Pressure Adjustment and spray away the detergent with a clear spray

Notes:

- A typical pattern of use for using detergent foam would be first cleaning with water to remove light surface deposits, then apply detergent foam, and then finally rinse off with clean water
- Detergent foam requires a few minutes to work when applied to surfaces. Normally for maximum cleaning, leave for 2-5 minutes between applying foam and removing with clean water, which is an ideal time to brush/scrub the surface where most dirt has collected. Do not allow foam to dry on the surface, for instance on a hot day there may be limited time between dispensing foam and rinsing off depending on the surface
- Do not use detergents not designed for pressure washers. They may contain chemicals unsuitable for use with pressure washers that could damage seals
- Read the instructions provided with the detergent thoroughly, especially if concentrated. Diluting to the detergent manufacturer's recommendations will ensure effective cleaning without using excessive detergent. As this pressure washer has a variable detergent ratio, set to a middle

pressure setting and adjust the pressure downwards until a satisfactory detergent mixture is achieved

Accessories

- A range of accessories is available from your Silverline stockist to enhance the functionality of your pressure washer, including brushes and replacement or higher specification parts

Maintenance

Cleaning

- Keep your appliance clean at all times
- Always allow all water to drain from the pump before storing
- The lance Nozzle (19) may become dirty or blocked over time, which will affect operation. Clean the lance nozzle using the Cleaning Pin (24) (Image L) supplied. A garden hose can also be used to clean the nozzle by back-flushing water through the nozzle. Combining use of the pin and back-flushing should enable the nozzle to be fully cleaned. The frequency of doing this will depend on the water quality in your area with hard water areas requiring more frequent cleaning
- Regularly check the Inlet Hose Connector (25) filter to make sure it is clear. This filter must be checked regularly to ensure it is clear from debris and other materials. Remove the Inlet Hose Connector to access the filter

Storage

- Always store this machine in a dry place that will not fall below 0°C

Disposal

Always adhere to national regulations when disposing of power tools that are no longer functional and are not viable for repair.

- Do not dispose of power tools, or other waste electrical and electronic equipment (WEEE), with household waste
- Contact your local waste disposal authority for information on the correct way to dispose of power tools

Troubleshooting

Problem	Possible Cause	Solution
No detergent suction	Lance not in low pressure mode	Change setting with trigger released
Smoke	Overload or damaged motor	DO NOT USE. Contact dealer or authorised Silverline service centre immediately
Pressure washer doesn't start	Pressurised	Squeeze trigger on gun before starting
	Mains plug not fully inserted or mains socket is switched OFF	Check and correct issues
	RCD has operated or not been reset	Reset RCD
	Plug fuse has blown (UK only)	Replace fuse and contact dealer if it blows again immediately
	Thermal safety switch has operated	Switch OFF and allow pressure washer motor to cool before starting
Poor water spray pressure	Water inlet filter is clogged	Clean filter
	Water hose connection is leaking or allowing air to enter	Check water hose connection
	Pressure washer valves or seals are worn or damaged	Contact dealer or authorised Silverline service centre immediately
Fluctuating water pressure	Pump is sucking in air	Check water hose connections
	Clogged nozzle	See Maintenance for cleaning procedure
Motor stops suddenly	Thermal safety switch has operated	Switch OFF and allow to cool before restarting
Water leaking from pump	Seals worn out	Contact dealer or authorised Silverline service centre immediately

Silverline Tools Guarantee

This Silverline product comes with a 3 year guarantee

Register this product at www.silverlinetools.com within 30 days of purchase in order to qualify for the 3 year guarantee. Guarantee period begins according to the date of purchase on your sales receipt.

Registering your purchase

Registration is made at silverlinetools.com by selecting the Guarantee Registration button. You will need to enter:-

- Your personal details
- Details of the product and purchase information

Once this information is entered your guarantee certificate will be created in PDF format for you to print out and keep with your purchase.

Terms & Conditions

Guarantee period becomes effective from the date of retail purchase as detailed on your sales receipt.

PLEASE KEEP YOUR SALES RECEIPT

If this product develops a fault within 30 days of purchase, return it to the stockist where it was purchased, with your receipt, stating details of the fault. You will receive a replacement or refund.

If this product develops a fault after the 30 day period, return it to:

Silverline Tools Service Centre
PO Box 2988
Yeovil
BA21 1WJ, UK

The guarantee claim must be submitted during the guarantee period.

You must provide the original sales receipt indicating the purchase date, your name, address and place of purchase before any work can be carried out.

You must provide precise details of the fault requiring correction.

Claims made within the guarantee period will be verified by Silverline Tools to establish if the deficiencies are related to material or manufacturing of the product.

Carriage will not be refunded. Items for return must be in a suitably clean and safe state for repair, and should be packaged carefully to prevent damage or injury during transportation. We may reject unsuitable or unsafe deliveries.

All work will be carried out by Silverline Tools or its authorized repair agents.

The repair or replacement of the product will not extend the period of guarantee

Defects recognised by us as being covered by the guarantee shall be corrected by means of repair of the tool, free of charge (excluding carriage charges) or by replacement with a tool in perfect working order.

Retained tools, or parts, for which a replacement has been issued, will become the property of Silverline Tools.

The repair or replacement of your product under guarantee provides benefits which are additional to and do not affect your statutory rights as a consumer.

What is covered:

The repair of the product, if it can be verified to the satisfaction of Silverline Tools that the deficiencies were due to faulty materials or workmanship within the guarantee period.

If any part is no longer available or out of manufacture, Silverline Tools will replace it with a functional replacement part.

Use of this product in the EU.

What is not covered:

Silverline Tools does not guarantee repairs required as a result of:

Normal wear and tear caused by use in accordance with the operating instructions eg blades, brushes, belts, bulbs, batteries etc.

The replacement of any provided accessories drill bits, blades, sanding sheets, cutting discs and other related items.

Accidental damage, faults caused by negligent use or care, misuse, neglect, careless operation or handling of the product.

Use of the product for anything other than normal domestic purposes.

Change or modification of the product in any way.

Use of parts and accessories which are not genuine Silverline Tools components.

Faulty installation (except installed by Silverline Tools).

Repairs or alterations carried out by parties other than Silverline Tools or its authorized repair agents.

Claims other than the right to correction of faults on the tool named in these guarantee conditions are not covered by the guarantee.

CE Declaration of Conformity

The undersigned: Mr Darrell Morris

as authorised by: Silverline Tools

Declares that

This declaration has been issued under the sole responsibility of the manufacturer.

The object of the declaration is in conformity with the relevant Union harmonisation Legislation.

Identification code: 943676

Description: 2100W Pressure Washer

Conforms to the following directives and standards:

- Machinery Directive 2006/42/EC
- EMC Directive 2014/30/EU
- RoHS Directive 2011/65/EU
- Outdoor Noise Directive 2000/14/EC
- EN 60335-1:2012+A11:2014
- EN 60335-2-79:2012
- EN 62233:2008
- EN 55014-1:2006+A1:2009+A2:2011
- EN 55014-2:2015
- EN 61000-3-2:2014
- EN 61000-3-3:2013

Applied Conformity Evaluation Method

2000/14/EC: Annex III

Sound Power Level dB (A)

Measured: 89.71

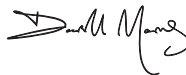
Guaranteed: 92

Notified body: SGS

The technical documentation is kept by: Silverline Tools

Date: 21/04/2017

Signed:



Mr Darrell Morris

Managing Director

Name and address of the manufacturer:

Powerbox International Limited, Company No. 06897059. Registered address:

Powerbox, Boundary Way, Luton Trading Estate, Yeovil, Somerset BA22 8HZ, United Kingdom.

Introduction

Nous vous remercions d'avoir choisi cet équipement Silverline. Ces instructions contiennent les informations nécessaires pour vous en garantir un fonctionnement efficace et en toute sécurité. Veuillez lire attentivement ce manuel pour vous assurer de tirer pleinement avantage des caractéristiques uniques de votre nouvel équipement.

Gardez ce manuel à portée de main et assurez-vous que tous les utilisateurs l'aient lu et bien compris avant toute utilisation. Conservez-le pour toute référence ultérieure.

Description des symboles

La plaque signalétique figurant sur votre outil peut présenter des symboles. Ces symboles constituent des informations importantes relatives au produit ou des instructions concernant son utilisation.



Port de protection auditive
Port de lunettes de sécurité
Port de masque respiratoire
Port de casque



Port de gants



Lire le manuel d'instructions



Attention !



Risque d'électrocution !



Construction de classe I (Mise à la terre)



En conformité avec les réglementations en vigueur pertinentes, l'appareil ne doit jamais être raccordé à une source d'approvisionnement en eau potable sans séparateur !



Conforme aux réglementations et aux normes de sécurité pertinentes.



Protection de l'environnement
Les appareils électriques usagés ne doivent pas être jetés avec les ordures ménagères. Veuillez les recycler dans les centres prévus à cet effet. Pour de plus amples informations, veuillez contacter votre municipalité ou point de vente.

Abréviations pour les termes techniques

V	Volt
~, AC	Courant alternatif
A, mA	Ampère, Milliampère
n0	Vitesse à vide
°	Degrés
Ø	Diamètre
Hz	Hertz
W, kW	Watt, kilowatt
/min or min ⁻¹	(opérations) par minute

Caractéristiques techniques

Tension :	230-240 V~50 Hz
Puissance :	2 100 W
Pression de service :	110 bar
Pression maximale :	165 bar
Débit de service :	6 l/min
Débit maximum :	7,2 l/min
Longueur du tuyau haute pression :	5 m
Capacité du réservoir du détergent :	1 L
Ratio détergent :	Variable
Plage de température de l'eau à l'entrée :	5 - 50°C
Pression de l'eau à l'entrée :	4 bar
Classe de protection :	IPX5
Indice de protection :	IPX5
Longueur du câble d'alimentation :	5 m
Dimensions (L x l x H) :	330 x 360 x 890 mm
Poids :	20 kg
Du fait de l'évolution constante de nos produits, les caractéristiques des produits XXX peuvent changer sans notification préalable.	

Informations relatives au niveau d'intensité sonore et vibratoire

Conformément à la directive sur les machines 2006/42/CE

Pression acoustique (L_{pA}):	76,7 dB(A)
Puissance acoustique (L_{WA}):	89,71 dB(A)
Incertitude :	± 2,5 dB(A)
Vibration pondérée a_h :	2,5 m/s ²

Conformément à la directive sur les émissions sonores dans l'environnement des matériels destinés à être utilisés à l'extérieur des bâtiments 2000/14/CE

Puissance acoustique garantie L_{WA} :

93 dB(A)
L'intensité sonore peut dépasser 85 dB(A) et il est nécessaire que l'utilisateur porte des protections auditives.

AVERTISSEMENT : Portez toujours des protections auditives lorsque le niveau d'intensité est supérieur à 85 dB(A) et limitez le temps d'exposition si nécessaire. Si l'intensité sonore devient inconfortable, même avec les protections, arrêtez immédiatement d'utiliser l'appareil, vérifiez que les protections sont bien en places et adaptés avec le niveau sonore produit par l'appareil.

AVERTISSEMENT : L'exposition de l'utilisateur aux vibrations peut engendrer une perte du toucher, des engourdissements, des picotements et ainsi réduire la capacité de préhension. De longues expositions peuvent également provoquer ces symptômes de façon chronique. Si nécessaire, limitez le temps d'exposition aux vibrations et portez des gants anti-vibrations. N'utilisez pas cet appareil lorsque la température de vos mains est en dessous des températures normales, car l'effet vibratoire en est accentué. Référez-vous aux chiffres indiqués dans les caractéristiques techniques des caractéristiques relatifs aux vibrations pour calculer le temps et la fréquence d'utilisation de l'appareil.

Les niveaux sonores et vibratoires indiqués dans la section « Caractéristiques techniques » du présent manuel sont déterminés en fonction de normes internationales. Ces données correspondent à un usage normal de l'appareil, et ce dans des conditions de travail normales. Un appareil mal entretenu, mal assemblé ou mal utilisé peut augmenter les niveaux sonores et vibratoires. Le site www.osha.europa.eu offre de plus amples informations sur les niveaux sonores et vibratoires sur le lieu de travail, celles-ci pourront être utiles à tout particulier utilisant des outils électriques pendant des périodes prolongées.

Veillez lire attentivement et assimiler les informations contenues dans le présent manuel ainsi que toute mention éventuellement apposée sur une étiquette présente sur votre appareil même avant d'entreprendre d'utiliser cet appareil. Veillez conserver ces instructions et consignes de sécurité pour référence ultérieure. Assurez-vous que toutes les personnes qui utiliseront ce produit aient pris pleinement connaissance des présentes instructions.

Même s'il est utilisé selon l'usage conforme et dans le respect des présentes consignes de sécurité, il est impossible d'éliminer tout facteur de risque. À utiliser en prenant une extrême précaution. Si vous avez un quelconque doute sur la manière d'utiliser cet appareil en toute sécurité, n'entreprenez pas de vous en servir.

Consignes de sécurité générales relatives à l'utilisation d'appareils électriques

⚠ AVERTISSEMENT : Veillez lire toutes les consignes de sécurité et toutes les instructions dispensées dans le présent manuel. Le non-respect des instructions et consignes de sécurité peut entraîner un risque de décharge électrique, d'incendie et/ou se traduire par des blessures graves.

Veillez conserver ces instructions et consignes de sécurité pour référence ultérieure.

L'expression « appareil électrique » employée dans les présentes consignes recouvre aussi bien les appareils filaires à brancher sur secteur que les appareils sans fils fonctionnant avec batterie.

1) Sécurité sur la zone de travail

a. Maintenir une zone de travail propre et bien éclairée. Des zones encombrées et mal éclairées sont sources d'accidents.

b. Ne pas utiliser d'appareils électriques dans des environnements explosifs, tels qu'à proximité de liquides, de gaz ou de poussières inflammables. Les appareils électriques produisent des étincelles susceptibles d'enflammer la poussière ou les vapeurs présentes.

c. Éloigner les enfants et toute personne se trouvant à proximité pendant l'utilisation d'un appareil électrique. Ceux-ci pourraient vous distraire et vous faire perdre la maîtrise de l'appareil.

2) Sécurité électrique

a. Les prises des appareils électriques doivent correspondre aux prises du secteur. Ne modifiez jamais la prise en aucune façon. N'utilisez jamais d'adaptateur avec les appareils électriques mis à la terre. Des prises non modifiées, adaptées aux boîtiers de prise de courant, réduisent les risques de décharge électrique.

b. Éviter le contact corporel avec les surfaces mises à la terre telles que tuyaux, radiateurs, cuisinières et réfrigérateurs. Le risque de décharge électrique est plus important si votre corps est mis à la terre.

c. Ne pas maltraiter le cordon électrique. N'utilisez jamais le cordon électrique pour porter, tirer ou débrancher l'appareil électrique. Conservez le cordon électrique à l'écart de la chaleur, de l'essence, de bords tranchants ou de pièces en mouvement. Un cordon électrique endommagé ou entortillé accroît le risque de décharge électrique.

d. Au cas où l'appareil électroportatif serait utilisé à l'extérieur, servez-vous d'une rallonge appropriée à une utilisation en extérieur. Cela réduit le risque de décharge électrique.

e. Si une utilisation de l'appareil dans un environnement humide ne peut être évitée, utilisez une alimentation protégée par un disjoncteur différentiel. L'utilisation d'un disjoncteur différentiel réduit le risque de décharge électrique.

3) Sécurité des personnes

a. Rester vigilant et faire preuve de bon sens lors de la manipulation de l'appareil. Ne pas utiliser d'appareil électrique en état de fatigue ou sous l'influence de drogues, d'alcool ou de médicaments. Un moment d'inattention pendant l'utilisation d'un appareil électrique peut se traduire par des blessures graves.

b. Porter des équipements de protection. Porter toujours des lunettes de protection. Le port d'équipements de protection tels que des masques à poussières, des chaussures de sécurité antidérapantes, un casque de sécurité ou des protections anti-brûlure, selon le travail à effectuer, réduira le risque de blessures aux personnes.

c. Éviter tout démarrage accidentel. S'assurer que l'interrupteur marche-arrêt soit en position d'arrêt (Off) avant de brancher l'appareil sur l'alimentation secteur. Porter un appareil électrique tout en maintenant le doigt posé sur l'interrupteur ou brancher un appareil électrique dont l'interrupteur est sur la position de marche (On) est source d'accidents.

d. Enlever toute clé ou tout instrument de réglage avant de mettre l'appareil électrique en marche. Une clé ou un instrument de réglage resté fixé à un élément en rotation de l'appareil électrique peut entraîner des blessures physiques.

e. Ne pas essayer d'atteindre une zone hors de portée. Se tenir toujours en position stable et conserver l'équilibre. Cela permet de mieux contrôler l'appareil électrique dans des situations inattendues.

f. Ne relâchez pas votre vigilance sous prétexte qu'un usage fréquent vous donne l'impression de vous sentir suffisamment en confiance et familier avec l'appareil et son utilisation. Les consignes de sécurité ne doivent en aucun cas être ignorées. Une action inconsidérée qui ne durerait ne serait-ce qu'une fraction de seconde pourrait entraîner un accident impliquant de graves blessures.

4) Utilisation et entretien d'appareils électriques

a. Ne pas surcharger l'appareil électrique. Utiliser l'appareil électrique approprié au travail à effectuer. Un appareil électrique adapté et employé au rythme pour lequel il a été conçu permettra de réaliser un travail de meilleure qualité et dans de meilleures conditions de sécurité.

b. Ne pas utiliser un appareil électrique dont l'interrupteur marche-arrêt est hors service. Tout appareil électrique dont la commande ne s'effectue plus par l'interrupteur marche-arrêt est dangereux et doit être réparé.

c. Débrancher l'appareil électrique avant d'effectuer tout réglage, changement d'accessoire ou avant de le ranger. De telles mesures préventives réduisent les risques de démarrage accidentel.

d. Ranger les appareils électriques inutilisés hors de portée des enfants et ne pas permettre l'utilisation de ces appareils aux personnes novices ou n'ayant pas connaissance de ces instructions. Les appareils électriques sont dangereux dans les mains d'utilisateurs inexpérimentés.

e. Veiller à l'entretien des appareils électriques. Vérifier que les éléments rotatifs soient bien alignés et non grippés. S'assurer de l'absence de pièces cassées ou endommagées susceptibles de nuire au bon fonctionnement de l'appareil. Si l'appareil électrique est endommagé, le faire réparer avant toute utilisation. De nombreux accidents sont causés par l'utilisation d'appareils électriques mal entretenus.

f. Utiliser l'appareil électrique, les accessoires et les appareils à monter, etc., conformément à ces instructions et selon l'utilisation prévue pour le type d'appareil donné, en tenant compte des conditions de travail et de la tâche à réaliser. Toute utilisation de cet appareil électrique autre que celle pour laquelle il a été conçu peut entraîner des situations à risque et entraînerait une annulation de sa garantie.

g. Veillez à ce que les poignées et toute surface de préhension de l'appareil soient toujours propres, sèches et exemptes d'huile et de graisse. Une poignée ou une surface de préhension rendue glissante ne consentirait pas à l'utilisateur de conserver une parfaite maîtrise de son appareil en toutes circonstances.

5) Entretien

a. Ne faire réparer l'appareil électrique que par un réparateur qualifié utilisant uniquement des pièces de rechange identiques. Cela permettra d'assurer la sécurité continue de cet appareil électrique.

Consignes de sécurité relatives aux nettoyeurs haute pression

• N'utilisez pas cet appareil sous la pluie. Assurez-vous que les raccordements électriques soient secs. Veillez à ce que l'appareil ne soit jamais humide. Ne laissez jamais l'eau pénétrer par les orifices de ventilation.

• Branchez toujours une valve anti-retour entre le tuyau du nettoyeur haute pression et le robinet pour éviter une contamination de l'eau.

• Ne tentez pas d'utiliser cet appareil à une température inférieure à 0°C.

• L'appareil doit toujours être raccordé à une source d'alimentation en eau propre et courante (robinet). Toute opération entreprise à sec ou avec de l'eau sale pourrait occasionner des dommages irréversibles sur la pompe.

• Le nettoyeur haute pression ne doit jamais être raccordé à une source d'alimentation en eau chaude. Cela pourrait provoquer un dysfonctionnement ou un endommagement permanent de l'appareil.

• Assurez-vous que l'alimentation en eau du nettoyeur soit à pression constante. Si l'alimentation en eau dessert également un autre équipement (par ex. machine à laver), assurez-vous que l'autre appareil soit éteint.

• Le nettoyeur doit toujours être utilisé en position verticale.

• Gardez à l'esprit l'effet de bond en arrière que la lance peut produire lorsque le nettoyeur est mis en marche. Prenez toujours la lance bien en main avant d'activer l'appareil.

• Ne dirigez jamais le jet vers des personnes ou des animaux. Le jet d'eau est très puissant et peut causer des blessures sévères. N'orientez jamais le jet vers l'appareil lui-même ni vers tout autre équipement électrique.

• Manipulez la lance avec précaution. L'embout ne doit en aucun cas percuter le sol. Veillez à ce que le tuyau ne soit ni entortillé, ni écrasé, ni trop tendu.

• N'essayez jamais d'utiliser un nettoyeur haute pression pour nettoyer une surface qui pourrait contenir de l'amiante.

- Si vous avez recours à des détergents ou si vous procédez à un nettoyage visant à éliminer huiles et graisses d'une surface, vous êtes alors responsable du traitement de toute eau contaminée qui pourrait en résulter. Vous devez toujours prendre en considération le respect de l'environnement et le risque de pollution des cours d'eau et de toute autre source d'eau, ainsi que l'éventualité de contaminer les sols et les eaux souterraines. Essayez de limiter le recours à des détergents – leur utilisation n'est pas toujours nécessaire. Veuillez contacter votre agence locale en charge de l'environnement pour savoir comment adopter les bons gestes par rapport au traitement de ce type de déchets et agir de façon responsable et dans le respect des lois en vigueur.

Descriptif du produit

1.	Dévidoir du tuyau haute pression
2.	Manivelle du dévidoir
3.	Raccord du tuyau
4.	Crochet de rangement du cordon électrique
5.	Interrupteur marche-arrêt
6.	Prise d'arrivée d'eau
7.	Support porte-buse
8.	Porte-lance
9.	Poignée avant
10.	Poignée arrière télescopique
11.	Réservoir pour le détergent
12.	Roues
13.	Cordon électrique
14.	Prise baïonnette de la poignée pistolet de la lance
15.	Raccord du tuyau haute pression sur la lance
16.	Poignée pistolet de la lance
17.	Gâchette
18.	Verrouillage de la gâchette
19.	Buse
20.	Réglage de la pression
21.	Raccord baïonnette de la buse
22.	Prise baïonnette de la rallonge de la lance
23.	Raccord baïonnette de la rallonge de la lance
24.	Tige de nettoyage
25.	Raccord d'arrivée d'eau
26.	Bouton de déclenchement de la poignée arrière

Usage conforme

Nettoyeur haute pression indiqué pour tâches de nettoyage d'intensité légère à moyenne sur véhicules, bâtiments et toute autre surface compatible, à l'aide d'un jet d'eau froide pressurisée, avec ou sans l'ajout de détergent.

Déballage

- Déballer le produit avec soin. Veuillez à retirer tout le matériel d'emballage et familiarisez-vous avec toutes les caractéristiques du produit.
- Si des pièces sont endommagées ou manquantes, faites-les réparer ou remplacer avant d'utiliser l'appareil.

Avant utilisation

- Toujours vérifier que chaque pièce du nettoyeur est assemblée et fixée correctement et que les tuyaux ne soient pas entortillés ni obstrués.
- Portez toujours les équipements de protection individuelle nécessaires. L'utilisation de cet appareil prévoit le port de lunettes de sécurité et de vêtements imperméables.
- Utilisez toujours un disjoncteur différentiel lorsque vous branchez le nettoyeur sur une prise de courant avec déclenchement inférieur à 30 mA et retard de courant inférieure à 30 ms.
- Assurez-vous que tous les points de raccordement au secteur restent absolument hors d'atteinte du jet du nettoyeur ou de toute autre surface sur laquelle de l'eau aurait pu s'accumuler.
- Veillez à utiliser exclusivement des rallonges indiquées pour usage extérieur, et capables de supporter les charges de courant indiquées pour cet appareil. Le câble et les branchements doivent être parfaitement étanches.
- Ce produit doit être mis à la terre, et toute rallonge de câble doit pouvoir être branchée à la terre.
- Cet appareil doit toujours être utilisé en position verticale et sur une surface parfaitement plane.

Assemblage

- Ne branchez jamais le nettoyeur haute pression au raccord d'eau et d'électricité tant que l'appareil n'est pas complètement assemblé et prêt à l'emploi.
- Veillez à retirer tout élément d'emballage de l'appareil.

Crochets et autres supports

- Faites glisser le porte-lance (8) vers le bas pour le fixer au clip spécialement prévu présent sur le côté du nettoyeur (Fig. I).
- Faites glisser le support porte-buse (7) latéralement pour le fixer au clip spécialement prévu (Fig. II) et maintenez-le en place à l'aide de la vis fournie.
- Faites glisser le crochet de rangement du cordon électrique (4) vers le bas pour le fixer au clip spécialement prévu présent sur l'autre côté du nettoyeur (Fig. III).

Lance

- Assemblez la lance en raccordant la buse (19) à la rallonge de la lance puis, fixez l'ensemble constitué par ces deux éléments à la poignée pistolet de la lance (Image A).
- Insérez le raccord baïonnette de la buse (21) dans la prise baïonnette de la rallonge de la lance (22) puis, enfoncez-le dans un mouvement de rotation pour que le mécanisme de blocage s'enclenche (Image B).
- Introduisez le raccord baïonnette de la rallonge de la lance (23) dans la prise baïonnette de la poignée pistolet de la lance (14) puis, enfoncez-le dans un mouvement de rotation pour que le mécanisme de blocage s'enclenche (Image C).

Remarque : Lorsque la lance n'est pas en cours d'utilisation, elle peut être rangée, assemblée, suspendue au porte-lance (8), la buse (19) posée sur le support porte-buse (7) (Image D).

Tuyau haute pression

1. Tirez soigneusement sur le tuyau pour en dérouler une partie du dévidoir spécialement prévu (1) (Image E).
2. Fixez l'extrémité du tuyau sur le raccord du tuyau haute pression de la lance (15) (Image F) et resserrez bien l'écrou.

AVERTISSEMENT : Si le tuyau haute pression est endommagé, il pourrait exploser et provoquer des blessures. Un tuyau présentant des signes de dommages ou d'usure doit être remplacé et ne doit être en aucun cas réparé. Vérifiez régulièrement l'état du tuyau haute pression et veillez à éviter qu'il n'entre en contact avec des surfaces ou des objets coupants ou rugueux. Après utilisation, prenez toujours soin d'enrouler le tuyau à l'aide de la manivelle (2) pour le remettre en place sur le dévidoir. (Image G et H).

Raccordement à la source d'approvisionnement en eau

AVERTISSEMENT : Pour un raccordement à l'eau courante domestique, utilisez toujours une valve anti-retour entre le tuyau du nettoyeur haute pression et le robinet pour éviter toute contamination de l'eau.

1. Retirez le capuchon en plastique se trouvant sur la prise d'arrivée d'eau (6) et vérifiez que le filtre présent à l'intérieur soit propre et exempt de tout débris ou autre dépôt. Avec le temps la saleté peut s'accumuler sur le filtre, il est donc recommandé de vérifier régulièrement l'état du filtre et de le nettoyer, le cas échéant.
2. Fixez le raccord d'arrivée d'eau (25) (Fig. V) en le serrant uniquement à la main.
3. Branchez un tuyau entre l'arrivée d'eau et le raccord rapide.

Remarques :

- Les caractéristiques techniques indiquent les pressions d'eau appropriées pour l'utilisation de cet appareil. Selon les pays, les normes de pression d'eau minimales et maximales diffèrent. Vérifiez donc bien les pressions utilisées. Ne dépassez jamais la pression maximale indiquée dans la section « Caractéristiques techniques » du présent manuel.
- Si vous n'êtes pas en mesure de déterminer la pression de l'eau, réglez votre nettoyeur sur une basse pression afin d'éviter d'endommager votre appareil. Vous pouvez considérer un réglage pouvant atteindre le point situé au milieu entre la pression la plus basse et la plus élevée. Autrement, vous pouvez vous procurer un manomètre que vous pourrez raccorder directement au robinet d'arrivée d'eau. Cela vous permettra d'effectuer un réglage plus précis de la pression.

- Ne jamais raccorder votre nettoyeur haute pression à une source d'approvisionnement en eau chaude. En effet, cela aura pour effet d'empêcher la pompe de refroidir et provoquera l'usure prématurée des joints.
- Il est important que pendant l'utilisation, l'alimentation en eau soit constante, car sans eau, la pompe s'endommagera. Pensez également à vérifier tous les branchements avant de mettre en marche le nettoyeur.

Raccordement à d'autres sources d'approvisionnement en eau

Remarque : Ce nettoyeur haute pression est pourvu d'une pompe auto-amorçante qui permet le raccordement à d'autres sources d'approvisionnement en eau telles que citernes ou autres réservoirs destinés à la récupération de l'eau de pluie ou autre.

- Assurez-vous que la source d'approvisionnement en eau est propre et filtrée avant de la raccorder au nettoyeur haute pression. Vérifiez qu'il n'y ait aucun dépôt.
- Dans le cas de citernes dont la sortie d'eau est située au niveau du fond, la force de gravité va exercer une pression supplémentaire qui va favoriser la fonction du nettoyeur haute pression.
- Le tuyau utilisé pour le raccord à la source d'approvisionnement en eau ne doit pas excéder 3 m de longueur et son diamètre ne doit pas être inférieur à 19 mm.

Remplissage du réservoir de détergent

- Si la tâche à réaliser requiert le recours à un détergent, retirez le bouchon du réservoir pour le détergent (11) et remplissez le réservoir avec un détergent dont l'usage est spécifiquement compatible avec un nettoyeur haute pression (Image I).
- Ce nettoyeur haute pression a été spécialement conçu pour diffuser le détergent à une pression basse et l'eau claire à une pression élevée.
- Le taux de détergent présent dans le mélange avec l'eau est variable et dépend de la force de pression sélectionnée.

Réglage de la poignée télescopique

- Appuyez sur le bouton de déclenchement de la poignée arrière (26) et tirez sur la poignée arrière télescopique (10) pour la remonter ou au contraire, poussez dessus pour l'abaisser.

Instructions d'utilisation

Mise en marche

- Toujours ouvrir l'eau avant de mettre en marche pour éviter tout endommagement de la pompe.
- Activez le verrouillage de la gâchette (18) pour éviter tout démarrage intempestif au cas où la gâchette (17) serait pressée involontairement (Image J).
- Branchez le nettoyeur sur sa source d'alimentation et mettez l'interrupteur marche/arrêt (5) en position de marche sur « ON » (Fig. VI). La pompe se met en marche immédiatement pour emmagasiner la pression nécessaire au fonctionnement du nettoyeur, puis de nouveau à chaque activation de la gâchette pour rétablir la pression de l'eau. Ne laissez pas ce processus durer plus de 3 minutes. Appuyez et relâchez la gâchette pour désactiver ce mode. Idéalement, utilisez le nettoyeur dans les deux minutes après avoir mis en marche.
- Il est important que tout l'air présent dans les tuyaux et dans la lance soit évacué avant d'utiliser votre nettoyeur. Pour cela, désenclenchez le blocage de la gâchette, puis appuyez longuement sur la gâchette jusqu'à ce que le jet d'eau diffusé soit régulier. Cela peut prendre jusqu'à 2 minutes voire plus longtemps lors de la première utilisation.

Arrêt de l'appareil

- Une fois que vous avez terminé votre opération de nettoyage, veillez à suivre les étapes suivantes :
 1. Éteignez le nettoyeur haute pression et débranchez sa prise électrique.
 2. Coupez l'approvisionnement en eau.
 3. Appuyez sur la gâchette (17) pour libérer toute l'eau encore présente dans la lance.
 4. Débranchez l'appareil de sa source d'approvisionnement en eau.
- Purgez chaque élément de l'appareil pour éliminer toute présence d'eau, puis, rangez votre nettoyeur haute pression dans un endroit sec.

AVERTISSEMENT : L'approvisionnement en eau ne doit jamais être coupé avant d'avoir éteint au préalable l'appareil car la pompe ne doit en aucun cas fonctionner sans un apport en eau.

AVERTISSEMENT : Ne débranchez jamais aucun des points de connexion du tuyau haute pression avant d'avoir procédé au préalable à une dépressurisation complète.

Utilisation du nettoyeur

- Gardez à l'esprit l'effet de bond en arrière que la lance peut produire lorsque le nettoyeur est mis en marche. Prenez toujours la lance bien en main avant d'activer l'appareil. Pour diffuser le jet d'eau, appuyez sur la gâchette (17).
- Pour désactiver la gâchette si nécessaire dans certaines situations, enclenchez le verrouillage de la gâchette (18) (Image J).
- La buse (19) permet de régler le jet pour lui donner divers profils et intensités dont un particulièrement fin et fort. Pour procéder au réglage du jet, il suffit de tourner la buse (Image M).
- Commencez par faire des essais en sélectionnant un réglage de jet fin et en variant la distance jusqu'à parvenir à la force de pulvérisation convenant le mieux à la tâche à réaliser. Avant chaque changement de réglage la poignée doit être relâchée.

- Utilisez la bague de réglage de pression (20) pour régler la pression de sortie. Relâchez la gâchette pour effectuer les réglages.
- Ce nettoyeur est conçu de manière à prévenir toute surchauffe du moteur en cas d'utilisation continue. Ce dispositif de sécurité empêchera la gâchette de s'activer si nécessaire. Le moteur redémarrera après avoir refroidi pendant quelques minutes. Pour éviter de déclencher ce verrouillage de sécurité, il est recommandé de ne pas travailler sur de longues périodes et de ne pas actionner la gâchette de façon continue.
- Si vous n'êtes pas certain de la solidité de la surface à nettoyer, évitez d'utiliser le jet fin et fort. Sélectionnez un réglage de pression basse et placez-vous à une distance éloignée pour commencer.
- Il est recommandé de tenir votre lance à un angle de 45° par rapport à la surface à nettoyer car cette position offre une maîtrise et une efficacité de nettoyage optimales.
- Pensez toujours à réaliser des essais sur des parties non visibles de la surface à nettoyer pour être certain d'avoir sélectionné le bon réglage de pression et que le détergent ne l'endommage pas, particulièrement s'agissant du mortier entre les briques ou les dalles qui peut facilement s'enlever à cause de la force du jet.

Utilisation de détergents

- Différents types de détergents sont disponibles sur le marché et compatibles avec ce nettoyeur haute pression parmi lesquels on compte certains produits spécifiques pour le nettoyage de voitures, terrasses, vitres, bois, plastiques, etc. et d'autres détergents à usage plus général.
- Remplir le réservoir (11) avec un détergent compatible avec le nettoyeur haute pression et convenant à la tâche à réaliser.
- Le nettoyeur est conçu pour utiliser des détergents avec un réglage de pression faible et diffuser l'eau à haute pression. Le dispositif de réglage de la pression (20) (Image M) comprend des marques « + » et « - » indiquant dans quel sens le tourner pour augmenter ou réduire la pression.
- Une fois la diffusion du détergent achevée, régler sur position haute pression, et activez la gâchette jusqu'à ce que l'eau qui s'écoule soit claire.

Remarque :

- Une procédure particulière est à suivre en cas d'utilisation d'une mousse détergente. Tout d'abord, nettoyez à l'eau claire pour éliminer tout dépôt éventuel de la surface à nettoyer. Puis, appliquez votre mousse détergente et enfin, rincez à l'eau claire.
- En général, une mousse nécessite un certain délai avant d'agir. Une fois le détergent en mousse appliqué, laissez-le agir pendant 2 à 5 minutes avant de rincer afin de vous assurer un nettoyage optimal. Ce laps de temps nécessaire au produit pour agir sera l'occasion de frotter les surfaces les plus incrustées. Cependant, veillez à ne pas laisser le détergent sécher sur la surface. Soyez particulièrement attentif à adapter ce délai d'attente avant le rinçage en fonction des conditions atmosphériques.
- N'utilisez que des détergents spécifiquement prévus pour être utilisés avec des nettoyeurs haute pression car les autres détergents peuvent contenir des substances chimiques qui peuvent endommager les joints.
- Veillez lire avec attention les instructions fournies avec le détergent utilisé, notamment s'il s'agit d'un produit concentré. Diluez le détergent en suivant strictement les recommandations du fabricant afin de vous assurer d'obtenir un nettoyage efficace sans recours excessif au détergent.

Accessoires

- Divers accessoires sont disponibles auprès de votre revendeur Silverline pour optimiser les fonctionnalités de votre nettoyeur haute pression comme des balais de charbon ou d'autres pièces présentant des caractéristiques techniques capables d'en augmenter la performance.

Entretien Nettoyage

- Gardez l'appareil propre en permanence.
- Veillez à ce que l'eau de la pompe soit complètement évacuée avant de ranger l'appareil.
- Avec le temps, la buse (19) peut s'encrasser, ce qui réduit l'efficacité du nettoyeur. Nettoyez la buse à l'aide de la tige de nettoyage fournie (24) (Image L). Vous pouvez également rincer abondamment la buse à l'aide d'un tuyau d'arrosage. Le recours à la tige associée à un bon rinçage assurent un nettoyage efficace. La fréquence de nettoyage recommandée dépendra de la dureté de l'eau. L'utilisation d'une eau dure nécessitera un nettoyage plus fréquent.
- Vérifiez régulièrement le filtre du raccord d'arrivée d'eau (25) et assurez-vous qu'il n'est pas obstrué. Pour accéder au filtre, le raccord d'arrivée d'eau doit d'abord être retiré.

Entreposage

- Rangez toujours l'appareil dans un endroit sec et où la température ne descendra pas en dessous de 0°.

Traitement des déchets

Lorsque l'appareil n'est plus en état de fonctionner et qu'il n'est pas réparable, veillez à recycler l'appareil toujours conformément aux réglementations nationales en vigueur.

- Ne jetez pas les outils électriques, batteries et autres équipements électroniques ou électroniques (DEEE) avec les ordures ménagères.
- Contactez les autorités locales compétentes en matière de gestion des déchets pour vous informer de la procédure à suivre pour recycler les outils électriques.

Si mon appareil ne fonctionne pas

Problème	Cause possible	Solution
Pas de diffusion du détergent	Lance non réglée en pression basse	Réglez en relâchant la gâchette
Fumée	Surcharge ou moteur endommagé	NE PAS UTILISER. Contactez immédiatement le revendeur ou un centre Silverline agréé.
Le nettoyeur ne démarre pas	Pressurisé	Appuyez sur la gâchette avant de démarrer
	Prise mal branchée	Vérifiez le branchement de la prise
	Le disjoncteur différentiel s'est déclenché ou n'est pas réinitialisé	Réinitialisez le disjoncteur différentiel
	Le fusible a sauté	Remplacez le fusible. S'il saute encore, contactez le revendeur
	La protection thermique s'est déclenchée	Éteignez l'appareil et laissez le moteur refroidir
Pression du jet faible	Filtre dans l'arrivée d'eau encrassé	Nettoyez le filtre
	Tuyau mal branché créant fuite et entrée d'air	Vérifiez le branchement du tuyau d'eau
	Valves ou joints du nettoyeur usés	Contactez immédiatement le revendeur ou un centre
Pression non constante	La pompe consomme de l'air	Vérifiez les raccords avec l'arrivée d'eau
	L'embout est encrassé	Voir section Entretien
Arrêt soudain du moteur	Protection thermique enclenchée	Éteignez l'appareil et laissez le moteur refroidir
Fuite d'eau au niveau de la pompe	Joints usés	Contactez immédiatement le revendeur ou un centre Silverline agréé.

Garantie des outils Silverline

Ce produit Silverline bénéficie d'une garantie de 3 ans

Enregistrez ce produit sur le site silverlinetools.com dans les 30 jours suivant l'achat afin de bénéficier de la garantie de 3 ans. La période de garantie commence à partir de la date d'achat figurant sur votre facture.

Enregistrement de votre achat

Rendez-vous sur silverlinetools.com, sélectionnez le bouton d'enregistrement et saisissez :

- Vos informations personnelles
 - Les informations concernant le produit et l'achat
- Vous recevrez le certificat de garantie en format PDF. Veuillez l'imprimer et le conserver avec votre article.

Conditions générales

La période de garantie prend effet à compter de la date de l'achat en magasin indiquée sur votre facture.

VEUILLEZ CONSERVER VOTRE PREUVE D'ACHAT.

Si ce produit est défectueux pendant les 30 jours qui suivent l'achat, retournez-le au magasin où vous l'avez acheté, avec votre facture, en expliquant en détail le problème. Le produit sera remplacé ou vous serez remboursé(e).

Si ce produit est défectueux après cette période de 30 jours, retournez-le à :

Silverline Tools Service
Centre PO Box 2988

Yeovil

BA21 1WU, Royaume Uni

Toute demande de service sous garantie doit être soumise pendant la période de garantie.

Avant toute intervention sous garantie, vous devez présenter la facture originale sur laquelle doivent figurer la date d'achat, votre nom, votre adresse et le lieu d'achat.

Vous devez expliquer en détail la défaillance nécessitant réparation.

Les demandes de service sous garantie faites pendant la période de garantie seront vérifiées par Silverline Tools pour établir si la défaillance du produit est liée à un vice de matériel ou de fabrication.

Les frais de port ne seront pas remboursés. Les articles retournés doivent être convenablement propres et sûrs pour être réparés et devaient être emballés soigneusement pour éviter tout dommage ou toute blessure pendant le transport. Nous pouvons refuser les livraisons qui ne sont pas convenables ou sûres.

Toute intervention sera effectuée par Silverline Tools ou ses agents de réparation agréés.

La réparation ou le remplacement du produit ne dépassera pas la période de garantie.

Les anomalies que nous reconnaissons être couvertes par la garantie seront rectifiées par la réparation de l'outil, sans frais (hormis les frais de port) ou par son remplacement par un outil en parfait état de fonctionnement.

Les pièces ou les outils remplacés deviendront la propriété de Silverline Tools.

La réparation ou le remplacement de votre produit sous garantie vous apporte des avantages ; ces avantages s'ajoutent à vos droits statutaires en tant que consommateur sans les affecter aucunement.

La présente garantie couvre :

La réparation du produit, s'il peut être vérifié, à la satisfaction de Silverline Tools, que les défaillances du produit ont été provoquées par un vice de matériel ou de fabrication au cours de la période de garantie.

Si une pièce n'est plus disponible ou n'est plus fabriquée, Silverline Tools la remplacera par une pièce de rechange opérationnelle.

Utilisation de ce produit dans l'UE.

La présente garantie ne couvre pas :

Silverline Tools ne garantit pas les réparations nécessaires du produit engendrées par :

L'usage normale provoquée par l'utilisation conforme aux instructions d'utilisation, par exemple des lames, des balais de charbon, des courroies, des ampoules, des batteries, etc.

Le remplacement de tout accessoire fourni tel que les forêts, les lames, les feuilles abrasives, les outils de coupes et les autres articles associés.

Les dommages et les défaillances accidentels causés par une utilisation ou un entretien négligent, une mauvaise utilisation, un manque d'entretien ou une utilisation ou une manipulation imprudente du produit.

L'utilisation du produit à des fins autres que son utilisation domestique normale.

Le moindre changement ou la moindre modification du produit.

L'utilisation de pièces et d'accessoires qui ne sont pas des composants véritables de Silverline Tools.

Une installation défectueuse (sauf si l'installation a été réalisée par Silverline Tools).

Les réparations ou les modifications réalisées par des tiers autres que Silverline Tools ou ses agents de réparation agréés.

Les demandes de service autres que le droit de rectifier les défaillances de l'outil indiquées dans ces conditions de garantie ne sont pas couvertes par cette garantie.

Déclaration de conformité CE

Le soussigné : M. Darrell Morris

Autorisé par : Silverline Tools

Déclare que :

La présente déclaration est établie sous la responsabilité exclusive du fabricant.

La présente déclaration de conformité est rédigée conformément à la législation d'harmonisation de l'Union Européenne pertinente

Déclare que le produit :

Code d'identification : 943676

Description : Nettoyeur haute pression, 2 100 W

Est conforme aux directives suivantes :

- Directive sur les machines 2006/42/CE
- Directive sur la compatibilité électromagnétique 2014/30/UE
- Directive RoHS 2011/65/UE
- Directive relative aux émissions sonores des matériels utilisés en extérieur 2000/14/CE
- EN 60335-1:2012+A11:2014
- EN 60335-2-79:2012
- EN 62233:2008
- EN 55014-1:2006+A1:2009+A2:2011
- EN 55014-2:2015
- EN 61000-3-2:2014
- EN 61000-3-3:2013

Procédures d'évaluation de la conformité appliquées

2000/14/CE : Appendice III

Niveau de la puissance acoustique dB(A)

Mesuré : 89,71

Garanti : 92

Organisme notifié : SGS

La documentation technique est conservée par : Silverline Tools

Date : 21/04/2017

Signature :



M. Darrell Morris

Directeur général

Nom et adresse du fabricant ou de son représentant agréé :

Powerbox International Limited, entreprise enregistrée sous le numéro 06897059. Siège social :

Powerbox, Boundary Way, Lufton Trading Estate, Yeovil, Somerset BA22 8HZ, Royaume Uni.

Einführung

Vielen Dank, dass Sie sich für dieses Silverline-Werkzeug entschieden haben. Diese Anleitung enthält wichtige Informationen für das sichere und effektive Arbeiten mit diesem Produkt. Selbst wenn Sie bereits mit ähnlichen Produkten vertraut sind, lesen Sie diese Anleitung bitte sorgfältig durch, um den größtmöglichen Nutzen aus diesem Werkzeug ziehen zu können. Bewahren Sie diese Anleitung griffbereit auf und sorgen Sie dafür, dass alle Benutzer dieses Geräts sie gelesen und verstanden haben.

Symbolerklärung

Auf dem Typenschild des Werkzeugs sind möglicherweise Symbole abgebildet. Sie vermitteln wichtige Informationen über das Produkt oder dienen als Gebrauchsanweisung.



Gehörschutz tragen
Augenschutz tragen
Atemschutz tragen
Kopfschutz tragen



Schutzhandschuhe tragen



Bedienungsanleitung sorgfältig lesen



Achtung, Gefahr!



Stromschlaggefahr!



Schutzklasse I (Schutzleiter)



Gemäß geltenden Vorschriften darf das Gerät niemals ohne Systemtrenner an die Trinkwasserversorgung angeschlossen werden!



Erfüllt die einschlägigen Rechtsvorschriften und Sicherheitsnormen (gilt nur für EU-Modell)



Umweltschutz
Elektroaltgeräte dürfen nicht über den Hausmüll entsorgt werden. Nach Möglichkeit bitte über entsprechende Einrichtungen entsorgen. Lassen Sie sich bezüglich der sachgemäßen Entsorgung von Elektrowerkzeugen von der zuständigen Behörde oder dem Händler beraten.

Verzeichnis der technischen Symbole und Abkürzungen

V	Volt
~, AC	Wechselspannung
A, mA	Ampere, Milliampere
n0	Leerlaufdrehzahl
°	Grad
Ø	Durchmesser
Hz	Hertz
W, kW	Watt, Kilowatt
/min or min ⁻¹	Drehzahl, d.h. Umdrehungen pro Minute

Technische Daten

Spannung	230-240 V~, 50 Hz
Leistung	2100 W
Betriebsdruck	110 bar
Maximaldruck	165 bar
Beriedurchflussmenge	6,0 l/min
Max. Durchflussmenge	7,2 l/min
Hochdruckschlauchlänge	5 m
Reinigungsmittelbehälterinhalt	1 l
Reinigungsmittelkonzentration	nicht festgelegt
Eingangswassertemperatur	5 °C–50 °C
Eingangswasserdruck	max. 4 bar
Schutzklasse	IP X5
Schutzart	IP X5
Netzkabellänge	5 m
Abmessungen (L x H x B)	330 x 360 x 890 mm
Gewicht	20 kg

Aufgrund der fortlaufenden Weiterentwicklung unserer Produkte können sich die technischen Daten von Silverline-Produkten ohne vorherige Ankündigung ändern.

Geräusch- und Vibrationsinformationen

Gemäß Maschinenrichtlinie 2006/42/EG:

Schalldruckpegel L_{WA}	76,7 dB(A)
Schallleistungspegel L_{WA}	89,71 dB(A)
Unsicherheit K	2,5 dB
Hand-Arm-Vibration a_{hv}	<2,5 m/s ²

Gemäß Richtlinie über umweltbelastende Geräuschemissionen von zur Verwendung im Freien vorgesehenen Geräten und Maschinen 2000/14/EG:

Garantierter Schallleistungspegel L_{WA}	93 dB(A)
Der Schallintensitätspegel kann für den Bediener 85 dB(A) übersteigen und Lärmschutzmaßnahmen sind notwendig.	

WARNUNG! Tragen Sie in Bereichen, in denen der Lärmpegel 85 dB(A) überschreitet, unbedingt angemessenen Gehörschutz und begrenzen Sie nach Möglichkeit die Belastungsdauer. Sollte trotz Gehörschutz Unbehagen irgendeiner Art auftreten, beenden Sie die Arbeit unverzüglich und überprüfen Sie den Gehörschutz auf korrekten Sitz und Funktion und stellen Sie sicher, dass dieser einen angemessenen Schutz für den Lärmpegel bietet, der von den verwendeten Werkzeugen ausgeht.

WARNUNG! Bei der Benutzung mancher Werkzeuge wird der Benutzer Vibrationen ausgesetzt, welche zum Verlust des Tastsinns, zu Taubheitsgefühl, Krämpfen und zu einer Verminderung der Handgrieffkraft führen können. Langfristige Belastung kann zu chronischen Beschwerden führen. Begrenzen Sie, falls nötig, die Exposition zu Vibrationen und tragen Sie vibrationsmindernde Handschuhe. Verwenden Sie dieses Werkzeug nicht mit kalten Händen, da Vibrationen bei Temperaturen unter dem individuellen Komfortbereich eine stärkere Wirkung zeigen. Beurteilen Sie die Vibrationsbelastung unter Zuhilfenahme der Technischen Daten des jeweiligen Werkzeugs und bestimmen Sie die zulässige Belastungsdauer und -häufigkeit.

Die in den Technischen Daten angegebenen Geräusch- und Vibrationsinformationen werden nach internationalen Standards bestimmt. Die angegebenen Werte beziehen sich auf eine normale Benutzung des Werkzeuges unter normalen Arbeitsbedingungen. Schlecht gewartete, inkorrekt montierte und unsachgemäß verwendete Werkzeuge können erhöhte Schallpegel und Vibrationswerte aufweisen. Weitere Informationen zur EU-Vibrationsrichtlinie und zu Schall- sowie Vibrationsbelastungen, die auch für Heimanwender relevant sein können, finden Sie auf den Seiten der Europäischen Agentur für Sicherheit und Gesundheitsschutz am Arbeitsplatz: www.osha.europa.eu.

Lesen Sie diese Anleitungen sowie alle Informationen auf der Verpackung und dem Gerätegehäuse aufmerksam durch, bevor Sie das Gerät betreiben. Bewahren Sie diese Anleitung zum zukünftigen Nachschlagen mit dem Gerät auf. Stellen Sie sicher, dass sich alle Personen, die das Gerät verwenden, zuvor mit diesen Anweisungen vertraut gemacht haben.

Selbst wenn das Gerät wie beschrieben verwendet wird, lassen sich nicht alle Restrisiken ausschließen. Mit Vorsicht verwenden. Falls Sie sich in irgendeiner Weise unsicher sind, wird dieses Gerät sicher zu benutzen ist, VERWENDEN SIE ES NICHT!

Allgemeine Sicherheitshinweise

WARNUNG! Lesen Sie alle Sicherheitshinweise und Anweisungen. Versäumnisse bei der Einhaltung der Sicherheitshinweise und Anweisungen können elektrischen Schlag, Brand und/oder schwere Verletzungen verursachen.

Bewahren Sie alle Sicherheitshinweise und Anweisungen für die Zukunft auf.

Der in den Sicherheitshinweisen verwendete Begriff „Elektrowerkzeug“ bezieht sich auf netzbetriebene

Elektrowerkzeuge (mit Netzkaabel) und auf akkubetriebene Elektrowerkzeuge (ohne Netzkaabel).

1) Arbeitsplatzsicherheit

a) Halten Sie Ihren Arbeitsbereich sauber und gut beleuchtet. Unordnung oder unbeluchtete Arbeitsbereiche können zu Unfällen führen.

b) Arbeiten Sie mit dem Elektrowerkzeug nicht in explosionsgefährdeter Umgebung, in der sich brennbare Flüssigkeiten, Gase oder Stube befinden. Elektrowerkzeuge erzeugen Funken, die den Staub oder die Dampfe entzunden konnen.

c) Halten Sie Kinder und andere Personen wahrend der Benutzung des Elektrowerkzeugs fern. Bei Ablenkung konnen Sie die Kontrolle ber das Gerat verlieren.

2) Elektrische Sicherheit

a) Der Anschlussstecker des Elektrowerkzeugs muss in die Steckdose passen. Der Stecker darf in keiner Weise verandert werden. Verwenden Sie keine Adapterstecker gemeinsam mit schutzgeerdeten Elektrowerkzeugen. Unveranderte Stecker und passende Steckdosen verringern das Risiko eines elektrischen Schlags.

b) Vermeiden Sie Korperkontakt mit geerdeten Oberflachen wie von Rohren, Heizungen, Herden und Kuhlschranken. Es besteht ein erhohetes Risiko durch elektrischen Schlag, wenn Ihr Korper geerdet ist.

c) Zweckenfremden Sie das Kabel nicht, um das Elektrowerkzeug zu tragen, aufzuhangen oder um den Stecker aus der Steckdose zu ziehen. Halten Sie das Kabel fern von Hitze, l, scharfen Kanten oder sich bewegenden Gerateteilen. Beschadigte oder verwickelte Kabel erhohen das Risiko eines elektrischen Schlags.

d) Wenn Sie mit einem Elektrowerkzeug im Freien arbeiten, verwenden Sie nur Verlangerungskabel, die auch fur den Auenbereich geeignet sind. Die Anwendung eines fur den Auenbereich geeigneten Verlangerungskabels verringert das Risiko eines elektrischen Schlags.

e) Wenn der Betrieb des Elektrowerkzeugs in feuchter Umgebung nicht vermeidbar ist, verwenden Sie einen Fehlerstromschutzschalter. Der Einsatz eines Fehlerstromschutzschalters vermindert das Risiko eines elektrischen Schlags.

Hinweis: Der Begriff „Fehlerstromschutzschalter“ wird synonym mit den Begriffen „FI-Schutzschalter“ und „FI-Schalter“ verwendet.

3) Sicherheit von Personen

a) Seien Sie aufmerksam, achten Sie darauf, was Sie tun, und gehen Sie mit Vernunft in die Arbeit mit einem Elektrowerkzeug. Benutzen Sie kein Elektrowerkzeug, wenn Sie mude sind oder unter dem Einfluss von Drogen, Alkohol oder Medikamenten stehen. Ein Moment der Unachtsamkeit beim Gebrauch des Elektrowerkzeugs kann zu ernsthaften Verletzungen fuhren.

b) Tragen Sie personliche Schutzausrustung und immer eine Schutzbrille. Das Tragen personlicher Schutzausrustung, wie Staubmaske, rutschfeste Sicherheitsschuhe, Schutzhelm oder Gehorschutz, je nach Art und Einsatz des Elektrowerkzeugs, verringert das Risiko von Verletzungen.

c) Vermeiden Sie eine unbeabsichtigte Inbetriebnahme. Vergewissern Sie sich, dass das Elektrowerkzeug ausgeschaltet ist, bevor Sie es an die Stromversorgung und/oder den Akku anschlieen, es aufnehmen oder tragen. Wenn Sie beim Tragen des Elektrowerkzeugs den Finger am Schalter haben oder das Gerat eingeschaltet an die Stromversorgung anschlieen, kann dies zu Unfallen fuhren.

d) Entfernen Sie Einstellwerkzeuge oder Schraubenschlussel, bevor Sie das Elektrowerkzeug einschalten. Ein Werkzeug oder Schlussel, der sich in einem drehenden Gerateeteil befindet, kann zu Verletzungen fuhren.

e) Vermeiden Sie eine unnaturliche Korperhaltung. Sorgen Sie fur einen sicheren Stand und halten Sie jederzeit das Gleichgewicht. Auf diese Weise lasst sich das Elektrowerkzeug in unerwarteten Situationen besser kontrollieren.

f) Vernachlassigen Sie bei haufiger Arbeit mit Elektrowerkzeugen trotz der Vertrautheit mit den Geraten nicht die Sicherheitsprinzipien. Fahrlassiges Handeln kann in Sekundenbruchteilen zu schwersten Verletzungen fuhren.

4) Verwendung und Behandlung des Elektrowerkzeugs

a) **Uberlasten Sie das Gerat nicht. Verwenden Sie fur Ihre Arbeit das dafur bestimmte Elektrowerkzeug. Mit dem passenden Elektrowerkzeug arbeiten Sie besser und sicherer im angegebenen Leistungsbereich.**

b) **Benutzen Sie kein Elektrowerkzeug, dessen Schalter defekt ist. Ein Elektrowerkzeug, das sich nicht mehr ein- oder ausschalten lasst, ist gefahrlich und muss repariert werden.**

c) **Ziehen Sie den Stecker aus der Steckdose und/oder entfernen Sie den Akku, bevor Sie Gerateinstellungen vornehmen, Zubehorteile wechseln oder das Gerat weglegen. Diese Vorsichtsmanahme verhindert den unbeabsichtigten Start des Elektrowerkzeugs.**

d) **Bewahren Sie unbenutzte Elektrowerkzeuge auerhalb der Reichweite von Kindern auf. Lassen Sie Personen das Gerat nicht benutzen, die mit diesem nicht vertraut sind oder diese Anweisungen nicht gelesen haben. Elektrowerkzeuge sind gefahrlich, wenn sie von unerfahrenen Personen benutzt werden.**

e) **Pflegen Sie Elektrowerkzeuge mit Sorgfalt. Kontrollieren Sie, ob bewegliche Teile einwandfrei funktionieren und nicht klemmen, ob Teile gebrochen oder so beschadigt sind, dass die Funktion des Elektrowerkzeugs beeintrachtigt ist. Lassen Sie beschadigte Teile vor dem Einsatz des Gerates reparieren. Viele Unfalle haben ihre Ursache in schlecht gewarteten Elektrowerkzeugen.**

f) **Verwenden Sie Elektrowerkzeug, Zubehor, Einsatzwerkzeuge usw. entsprechend diesen Anweisungen. Berucksichtigen Sie dabei die Arbeitsbedingungen und die ausfuhrende Tatigkeit. Der Gebrauch von Elektrowerkzeugen fur andere als die vorgesehenen Anwendungen kann zu gefahrlichen Situationen fuhren.**

g) **Halten Sie Griffe und Grifflachen trocken, sauber und frei von Fett und l. Rutschige Hande und Grifflachen machen die sichere Handhabung des Werkzeugs in vorhergesehenen Situationen unmoglich.**

5) Service

a) **Lassen Sie Ihr Elektrowerkzeug nur von qualifiziertem Fachpersonal und nur mit Original-Ersatzteilen reparieren. Damit wird sichergestellt, dass die Sicherheit des Elektrowerkzeugs erhalten bleibt.**

Sicherheitshinweise fur Hochdruckreiniger

• Benutzen Sie dieses Gerat nicht im Regen. Achten Sie darauf, dass alle elektrischen Verbindungen stets trocken gehalten werden. Das Gerat darf unter keinen Umstanden nass werden. Wasser darf nicht in die Beluftungsoffnungen eindringen.

• Gema geltender Bestimmungen darf das Gerat nicht ohne Ruckflussverhinderer bzw. Systemtrenner nach EN 12729 Typ BA ans Trinkwassernetz angeschlossen werden.

• Benutzen Sie dieses Gerat nicht bei Umgebungstemperaturen unter 0°C.

• Verbinden Sie das Gerat ausschlielich mit Wasserversorgungen, die kontinuierlich sauberes Wasser liefern. Der Betrieb mit verunreinigtem Wasser, sowie das Trockenlaufen fuhren zu permanenten Schaden an der Pumpeinheit.

• Stellen Sie sicher, dass die Wasserversorgung einen konstanten Wasserdruck liefert. Falls anderer Verbraucher (wie z.B. Waschmaschinen) auf dieselbe Wasserversorgung zugreifen, stellen Sie sicher, dass alle anderen Gerate ausgeschaltet bleiben, solange Sie den Hochdruckreiniger verwenden.

• Das Gerat muss in aufrechter Position verwendet werden.

• Die Spruhlanze produziert bei Betrieb des Hochdruckreinigers einen Ruckschlag. Halten Sie die Lanze daher gut fest.

• Richten Sie den Wasserstrahl niemals auf Personen oder Tiere, denn er ist extrem kraftvoll, und Beruhrung kann zu schwerwiegenden Verletzungen fuhren.

• Richten Sie den Wasserstrahl auerdem nicht auf das Gerategehause oder andere elektrische Gerate.

• Behandeln Sie die Spruhlanze sorgsam und lassen Sie die Duse niemals auf dem Boden aufschlagen. Achten Sie darauf, dass die Schlauche niemals verdreht, zusammengedruckt oder auf Zug gesetzt werden.*

• Treffen Sie alle notwendigen Vorkehrungen um zu verhindern, dass Schadstoffe in den Untergrund eindringen. Entsorgen Sie alle anfallenden Abfallprodukte ordnungsgema.

• Benutzen Sie den Hochdruckreiniger niemals mit absetzhaltigen Materialien oder mit Materialien die Asbest enthalten konnen.

• Beseitigen Sie Abwasser stets verantwortungsvoll, wenn Sie Reinigungsmittel mit dem Hochdruckreiniger einsetzen oder fettige und olige Oberflachen reinigen. Berucksichtigen Sie die Umwelt und das Risiko einer Verschmutzung von Flussen und anderen Wasserlaufen sowie des Bodens. Reinigungsmittel sind nicht immer notig, setzen Sie sich darum nur sparsam ein.

Geräteübersicht

1.	Schlauchtrommel
2.	Trommelkurbel
3.	Schlauchverbinder
4.	Netzkabelhaken
5.	Ein-/Ausschalter
6.	Wasseranschluss
7.	Düsenablage
8.	Sprühlanzenhalterung
9.	Frontgriff
10.	Teleskopgriff
11.	Reinigungsmittelbehälter
12.	Transporträder
13.	Netzkabel
14.	Langenzgriffaufnahme
15.	Langenschlauchverbinder
16.	Sprühlanzengriff
17.	Auslöser
18.	Einschaltsperr
19.	Spritzdüse
20.	Druckjustierung
21.	Düsenverbinder
22.	Langenverlängerungsaufnahme
23.	Langenverlängerungsverbinder
24.	Reinigungsnadel
25.	Zulaufschlauchverbinder
26.	Teleskopgriffentriegelung

Bestimmungsgemäße Anwendung

Hochdruckreiner für allgemeine, leichte bis mittlere Reinigungsarbeiten an Kraftfahrzeugen, Gebäuden und anderen entsprechend geeigneten Oberflächen unter Verwendung eines kalten Druckwasserstrahls; wahlweise mit oder ohne den Einsatz von Reinigungsmitteln.

Auspacken des Gerätes

- Packen Sie Ihr Gerät vorsichtig aus und überprüfen Sie es. Machen Sie sich vollständig mit allen seinen Eigenschaften und Funktionen vertraut.
- Vergewissern Sie sich, dass sämtliche Teile des Geräts vorhanden und in ordnungsgemäßem Zustand sind. Sollten Teile fehlen oder beschädigt sein, lassen Sie diese ersetzen, bevor Sie das Gerät verwenden.

Vor Inbetriebnahme

- Vergewissern Sie sich stets, dass alle Verbindungen fest angezogen und dass alle Komponenten fest miteinander verbunden sind, sowie dass die Schläuche nicht geknickt oder der Wasserfluss anderweitig behindert ist.
- Tragen Sie stets für die auszuführende Aufgabe angemessene persönliche Schutzausrüstung (PSA). Die Arbeit mit diesem Gerät macht eine Schutzbrille und wasserdichte Kleidung erforderlich.
- Verwenden Sie beim Anschluss eines Hochdruckreinigers ans Stromnetz stets einen Fehlerstromschutzschalter mit einem Auslösestrom von maximal 30 mA und einer Auslösezeit von höchstens 30 ms.

- Stellen Sie sicher, dass die Spannungsversorgung trocken ist und sich außerhalb der Sprühereiche des Gerätes sowie außerhalb der Reichweite von abfließendem Oberflächenwasser befindet.
- Verwenden Sie nur Verlängerungskabel, die für den Gebrauch im Freien zugelassen sind und den für dieses Gerät benötigten Strom führen können. Das Verlängerungskabel muss gegen das Eindringen von Wasser geschützt sein und an den Anschlussstellen zum Hochdruckreiner über wasserdichte Verbindungen verfügen.
- Dieses Gerät muss geerdet werden und alle damit verwendeten Verlängerungskabel müssen über Schutzleiter verfügen.
- Stellen Sie den Hochdruckreiner zur Verwendung stets aufrecht auf geradem, flachem Untergrund auf.

Montage

- Schließen Sie den Hochdruckreiner erst an die Wasserversorgung und das Stromnetz an, wenn er vollständig zusammengebaut worden ist und sich in einem betriebsbereiten Zustand befindet.
- Entfernen Sie sämtliches Verpackungsmaterial.

Haken und Halterungen

- Schieben Sie die Sprühlanzenhalterung (8) nach unten auf den dafür vorgesehenen Klemmwinkel an der Seite (siehe Abb. I).
- Schieben Sie die Düsenablage (7) nach hinten auf den dafür vorgesehenen Klemmwinkel (siehe Abb. II) und fixieren Sie ihn mit der mitgelieferten Schraube.
- Schieben Sie den Netzkabelhaken (4) nach unten auf den dafür vorgesehenen Klemmwinkel an der Seite (siehe Abb. III).

Sprühlanze

- Setzen Sie die Sprühlanze zusammen, indem Sie den Schaft der Spritzdüse (19) am Langenverlängerungsschaft befestigen und diesen dann am Sprühlanzengriff montieren (siehe Abb. A).
- Setzen Sie dazu den Düsenverbinder (21) in die Langenverlängerungsaufnahme (22) und fixieren Sie ihn mit einer Drück-Dreh-Bewegung (siehe Abb. B).
- Setzen Sie den Langenverlängerungsverbinder (23) in die Langenzgriffaufnahme (14) und fixieren Sie ihn mit einer Drück-Dreh-Bewegung (siehe Abb. C).

Hinweis: Bei Nichtgebrauch kann die fertig montierte Sprühlanze in der Sprühlanzenhalterung (8) verwahrt werden. Die Spritzdüse (19) wird dabei in die Düsenablage (7) gesetzt (siehe Abb. D).

Hochdruckschlauch

1. Ziehen Sie den Schlauch vorsichtig in ausreichende Länge von der Schlauchtrommel (1) (siehe Abb. E).
2. Schließen Sie das Schlauchende an den Langenschlauchverbinder (15) an (siehe Abb. F) und ziehen Sie die Verbindung fest an.

WARNING! Ein beschädigter Hochdruckschlauch kann platzen und schwere Verletzungen verursachen. Beschädigte Schläuche dürfen nicht repariert, sondern müssen ersetzt werden. Überprüfen Sie die Schläuche regelmäßig und achten Sie darauf, dass Schläuche nicht mit scharfkantigen Objekten oder rauen Oberflächen in Kontakt kommen. Wickeln Sie den Schlauch nach Gebrauch mithilfe der Trommelkurbel (2) stets wieder auf (siehe Abb. G und anschließend H).

Anschluss an die Wasserversorgung

WARNING! Gemäß geltender Bestimmungen darf das Gerät nicht ohne Rückflussverhinderer (auch: Rückstromventil) ans Trinkwassernetz angeschlossen werden. Wasser, das durch das Rückstromventil geflossen ist, wird als nicht mehr trinkbar erachtet.

1. Entfernen Sie die Kunststoffabdeckung vom Wasseranschluss (6) (siehe Abb. IV) und vergewissern Sie sich, dass der Filter im Verbinder nicht verschmutzt ist. Säubern Sie ihn bei Bedarf.
2. Schließen Sie den Zulaufschlauchverbinder (25) (siehe Abb. V) an den Wasseranschluss an und ziehen Sie die Verbindung nur handfest an.
3. Verbinden Sie einen an die Wasserversorgung angeschlossenen Wasserschlauch mit dem Zulaufschlauchverbinder.

Hinweise:

- Die „Technischen Daten“ geben Auskunft über den für diesen Hochdruckreiner geeigneten Wasserdruckbereich. In Deutschland liegt der Druck im Verteilungsnetz typischerweise bei 1–8 bar. Überschreiten Sie den in den „Technischen Daten“ angegebenen, maximalen Wasserdruck nicht.
- Wenn Sie den Wasserdruck nicht kennen oder nicht messen können, halten Sie den Druck niedrig, um eine Beschädigung des Gerätes zu vermeiden. Stellen Sie sicher, dass ein Druckregler in Ihre Hauswasserversorgung eingebaut ist, falls der örtliche Wasserversorgungsdruck zu hoch für dieses Gerät sein sollte!
- Verbinden Sie das Gerät niemals mit einer Heißwasserversorgung, da dies die Kühlung der Pumpe beeinträchtigen und die internen Dichtungen beschädigen könnte.
- Es ist wichtig, dass das Gerät während des Betriebs ununterbrochen mit Wasser versorgt wird. Ein trockenlaufen beschädigt die Pumpe. Stellen Sie sicher, dass alle Verbindungen fest angezogen sind, bevor Sie das Gerät verwenden.

Verwendung von Reinigungsmittel

- Entfernen Sie die Kappe am Reinigungsmittelbehälter (11) und befüllen Sie den Behälter mit einem für Hochdruckreiniger geeigneten Reinigungsmittel (siehe Abb. I).
- Der Hochdruckreiniger ist darauf ausgelegt, im niedrigen Druckbereich Reinigungsmittel dosiert auszugeben und im hohen Druckbereich lediglich klares Wasser zu liefern.
- Die Reinigungsmittelkonzentration hängt von der gewählten Wasserdruckeinstellung ab.

Verstellen des Teleskopgriffs

- Drücken Sie die Teleskopgriffriegelung (26) und bringen Sie den Teleskopgriff (10) in die gewünschte Höhe (siehe Abb. K).

Betrieb

Einschalten

- Öffnen Sie vor dem Einschalten des Gerätes stets die Wasserversorgung, um eine Beschädigung der Pumpe zu vermeiden.
- Aktivieren Sie die Einschaltsperrung (18), um eine Betätigung des Auslösers (17) zu verhindern (siehe Abb. J).
- Verbinden Sie das Gerät mit dem Stromnetz und schalten Sie es am Ein-/Ausmacher (5) ein (siehe Abb. IV). Die Pumpe schaltet sich sofort ein und baut den Arbeitsdruck auf. Wenn der Auslöser gedrückt wird und der Druck abfällt, schaltet sich die Pumpeinheit wieder ein, um den Betriebsdruck wiederherzustellen. Beim ersten Einschalten läuft die Pumpe möglicherweise durchgehend, bis der Auslöser betätigt wird. Stellen Sie sicher, dass dieser Vorgang nicht länger als drei Minuten andauert. Betätigen Sie kurz den Auslöser, um diese Betriebsart zu deaktivieren und nehmen Sie den Hochdruckreiniger nach Möglichkeit innerhalb von zwei Minuten nach dem Einschalten in Betrieb.
- Sorgen Sie vor dem Betrieb des Hochdruckreinigers dafür, dass sämtliche Luft aus Schläuchen und Sprühlanze abgelassen wird. Deaktivieren Sie dazu die Einschaltsperrung und halten Sie den Auslöser gedrückt, bis ein gleichmäßiger Wasserstrahl aus der Sprühlanze austritt. Dies kann bei Erstgebrauch zwei Minuten oder länger dauern.

Ausschalten

- Führen Sie nach der Benutzung stets die folgenden Schritte aus:
 1. Schalten Sie das Gerät aus und trennen Sie es von der Stromversorgung.
 2. Schließen Sie die Wasserversorgung.
 3. Drücken Sie den Auslöser (17) und lassen Sie sämtliche Restwasserdruck ab.
 4. Trennen Sie die Verbindung zur Wasserversorgung.
 5. Lassen Sie sämtliches Restwasser aus dem Gerät und den Schläuchen ab und lagern Sie das Gerät an einem trockenen Ort.

WARNUNG! Die Pumpe darf nicht trockenlaufen. Unterebrechen Sie daher keinesfalls die Wasserversorgung, bevor das Gerät ausgeschaltet ist.

WARNUNG! Trennen Sie den Hochdruckschlauch erst, nachdem er drucklos gemacht wurde!

Verwendung des Hochdruckreinigers

- Halten Sie die Sprühlanze bei der Arbeit mit dem Hochdruckreiniger gut mit beiden Händen fest und drücken Sie den Auslöser (17). Beim Drücken des Auslösers kann es zu einem leichten Rückschlag kommen.
- Um den Auslöser zu deaktivieren, drücken Sie die Einschaltsperrung (18) (siehe Abb. J).
- Die Spritzdüse (19) kann beliebig zwischen einem weitgefächerten Wasserstrahl und einem konzentrierten Wasserstrahl verstellt werden (siehe Abb. M).
- Es wird empfohlen, unterschiedliche Sprühmuster und -entfernungen auszuprobieren, bis das gewünschte Muster und die richtige Stärke erreicht sind. Geben Sie den Auslöser frei, bevor Sie Einstellungsänderungen vornehmen.
- Über die Druckjustierung (20) (siehe Abb. M) lässt sich der Ausgangsdruck verändern. Geben Sie den Auslöser frei, bevor Sie Einstellungsänderungen vornehmen.
- Dieses Gerät ist zum Schutz des Motors vor Überhitzen mit einem Übertemperaturschutz ausgestattet, der eine Betätigung des Auslösers verhindert. Nach dem Abkühlen setzt sich das Gerät wieder zurück. Vermeiden Sie ein Überhitzen des Gerätes, indem Sie den Auslöser nicht dauerhaft gedrückt halten.
- Falls Sie Bedenken haben, wie die zu reinigende Oberfläche auf den starken Wasserstrahl reagiert, verringern Sie den Druck, halten Sie die Sprühlanze zunächst weit von der Fläche entfernt und beginnen Sie mit einem breiten Fächerstrahl.
- Es wird empfohlen, die Sprühlanze im 45°-Winkel zur Oberfläche zu halten. So lässt sich die Sprühlanze am besten kontrollieren und ein optimales Reinigungsergebnis erzielen.
- Testen Sie den Effekt des Wasserstrahls und des Reinigungsmittels auf die zu reinigende Oberfläche immer zunächst an einer unauffälligen Stelle. Gehen Sie bei Fugenmörtel und Gehwegplatten besonders vorsichtig vor, denn diese werden durch einen zu starken Wasserstrahl leicht beschädigt.

Anschluss an andere Wasserquellen

Hinweis: Dieses Gerät ist mit einer Wasserpumpe mit Selbstansaugfunktion ausgestattet, welches eine Nutzung mit anderen Wasserquellen wie Regentonnen und Wasserbehältern gewährleistet.

- Vergewissern Sie sich, dass das Wasser sauber und gefiltert ist, bevor es durch den Hochdruckreiniger geht. Achten Sie darauf, dass keine Ablagerungen vorhanden sind.
- Bei Regentonnen mit Wasserhahnanschluss am unteren Teil der Tonne, bietet die Schwerkraft für den Hochdruckreiniger ausreichenden Wasserdruck.

Der Schlauch zur Wasserversorgung sollte nicht länger als 3m sein und der Durchmesser sollte nicht weniger als 19mm oder ¾ Zoll betragen.

Verwendung von Reinigungsmittel

- Es gibt viele verschiedene Produkte, die speziell auf die Verwendung mit Hochdruckreinigern ausgelegt sind, z.B. Terrasseneiniger, Glasreiniger, Autoreiniger, Holz- und Kunststoff- sowie Allzweckreiniger.
- Füllen Sie den Reinigungsmittelbehälter (11) mit der benötigten Reinigungslösung.
- Stellen Sie die mit + und - markierte Druckjustierung (20) zum Ausgeben des Reinigungsmittels auf niedrigen Druck ein (siehe Abb. M).
- Erhöhen Sie den Druck über die Druckjustierung und befreien Sie die Fläche anschließend mit klarem Wasser von Reinigungsmittelrückständen.

Hinweise:

- Bei normalem Einsatz wird die zu reinigende Fläche zunächst mit klarem Wasser vorgereinigt, anschließend mit Reinigungsmittel besprüht, und zum Schluss mit klarem Wasser abgespült.
- Das Reinigungsmittel benötigt nach dem Auftragen eine gewisse Einwirkzeit. Warten Sie vor dem Klarspülen ca. 2–5 Minuten, um beste Reinigungsergebnisse zu erzielen. In dieser Einwirkzeit können stark verschmutzte Bereiche mit einer Bürste bearbeitet werden. Achten Sie darauf, dass das Reinigungsmittel nicht antrocknet (z.B. durch warmes Wetter).
- Verwenden Sie keine Reinigungsmittel, die nicht speziell auf die Verwendung mit Hochdruckreinigern ausgelegt sind. Solche Mittel können Chemikalien beinhalten, die für die Gerätedichtungen schädlich sind.
- Beachten Sie die Anweisungen des Reinigungsmittelherstellers zur Anwendung und Verdünnung (insbesondere bei Konzentrat). Dies stellt eine effektive Reinigung sicher, ohne dass exzessive Mengen an Reinigungsmittel aufgewendet werden müssen. Stellen Sie den Druck zunächst auf den mittleren Bereich ein und verringern Sie ihn dann, bis ein zufriedenstellendes Ergebnis erzielt wird.

Zubehör

- Eine Reihe an Zubehör einschließlich Bürsten und Ersatzteilen zur Steuerung der Funktion des Hochdruckreinigers sind über Ihren Silverline-Fachhändler erhältlich.

Wartung und Pflege

Reinigung

- Halten Sie Ihre Maschine stets sauber.
- Stellen Sie sicher, dass vor der Lagerung sämtliches Restwasser aus der Pumpe abgelassen wurde.
- Die Spritzdüse (19) kann mit der Zeit verschmutzen oder verstopfen und die Reinigungsleistung beeinträchtigen. Reinigen Sie die Düse mit der im Lieferumfang enthaltenen Reinigungsnadel (24) (siehe Abb. L). Die Düse kann auch durch Rückspülen mit einem Gartenschlauch gereinigt werden. Eine Kombination beider Methoden sollte zu einer gründlichen Reinigung der Düse führen. Die erforderliche Reinigungshäufigkeit hängt von der örtlichen Wasserqualität ab. In Gebieten mit hartem Wasser sind kürzere Reinigungsintervalle nötig.
- Überprüfen Sie den Filter im Zulaufschlauchverbinder (25) in regelmäßigen Abständen und vergewissern Sie sich, dass dieser frei von Schmutzpartikeln ist. Entfernen Sie den Zulaufschlauchverbinder, um den Filter zu erreichen.

Lagerung

- Bewahren Sie das Gerät an einem trockenen Ort bei einer Temperatur über 0 °C auf.

Entsorgung

Beachten Sie bei der Entsorgung von defekten und nicht mehr reparablen Elektrowerkzeugen geltende Vorschriften und Gesetze.

- Elektrowerkzeuge und andere elektrische und elektronische Altgeräte nicht über den Hausmüll entsorgen.
- Lassen Sie sich von der zuständigen Behörde bezüglich der ordnungsgemäßen Entsorgung von Elektrowerkzeugen beraten.

Fehlerbehebung

Störung	Mögliche Ursache	Empfohlene Abhilfe
Reinigungsmittel wird nicht angesaugt	Sprühlanze nicht auf niedrigen Druck eingestellt	Einstellung bei freigegebenem Auslöser ändern
Rauchbildung	Motor überlastet/beschädigt	Gerät nicht verwenden! Sofort an den Händler oder an einen zugelassenen Silverline-Kundendienst wenden
Gerät läuft nicht an	Gerät steht unter Druck	Auslöser vor dem Einschalten des Gerätes drücken
	Netzstecker nicht vollständig eingesteckt oder Steckdose ausgeschaltet	Netzstecker und Steckdose überprüfen und Fehler beheben
	Fehlerstromschutzschalter hat ausgelöst oder wurde nicht zurückgesetzt	Fehlerstromschutzschalter zurücksetzen
	Sicherung durchgebrannt (nur Großbritannien)	Sicherung wechseln und bei wiederholtem Durchbrennen an einen Silverline-Kundendienst wenden
	Übertemperaturschutz hat ausgelöst	Gerät ausschalten und Motor vor erneutem Betrieb abkühlen lassen
Schwacher Wasserdruck	Filter im Wassereinfluss verstopft	Filter reinigen
	Leckage am Wasseranschluss oder Luft wird angesaugt	Schlauchanschluss überprüfen
	Interne Ventile oder Dichtungen verschlissen oder beschädigt	Sofort an den Händler oder an einen zugelassenen Silverline-Kundendienst wenden
Schwankender Wasserdruck	Pumpe saugt Luft an	Schlauchanschlüsse überprüfen
	Verstopfte Spritzdüse	Reinigungsverfahren unter „Wartung und Pflege“ beachten
Motor schaltet sich plötzlich ab	Thermüberlastschutz hat ausgelöst	Gerät ausschalten und Motor vor erneutem Betrieb abkühlen lassen
Wasser tritt aus der Wasserpumpe aus	Dichtungsringe verschlissen	Sofort an den Händler oder an einen zugelassenen Silverline-Kundendienst wenden

Silverline-Tools-Garantie

Dieser Silverline-Artikel wird mit einer 3-Jahres-Garantie angeboten

Registrieren Sie diesen Artikel unter silverlinetools.com innerhalb von 30 Tagen nach dem Kauf, um die 3-Jahres-Garantie zu aktivieren.
Der Garantiezeitraum beginnt mit dem Kaufdatum auf Ihrem Kaufbeleg.

Registrierung Ihres Kaufs

Gehen Sie auf silverlinetools.com, klicken Sie auf „Registrierung“ und geben Sie Folgendes ein:

- Ihre persönlichen Angaben
- Produktdetails und Kaufinformationen

Sobald dieser Artikel registriert worden ist, wird Ihre Garantiebescheinigung im PDF-Format erzeugt. Bitte drucken Sie sie aus und bewahren Sie sie zusammen mit Ihrem Produkt auf.

Garantiebedingungen

Der Garantiezeitraum beginnt mit dem Kaufdatum im Einzelhandel, das auf dem Kaufbeleg angegeben ist.

BITTE BEWAHREN SIE DEN KAUFBELEG AUF!

Falls dieser Artikel innerhalb von 30 Tagen nach dem Kauf einen Defekt aufweisen sollte, bringen Sie es bitte mit Ihrem Kaufbeleg zu dem Fachhändler, bei dem es gekauft wurde, und informieren Sie ihn über die Mängel. Das Gerät wird daraufhin ersetzt oder der Kaufpreis zurückerstattet.

Falls dieser Artikel nach Ablauf von 30 Tagen nach dem Kauf einen Mangel aufweist, senden Sie es bitte an:

Silverline Tools Service Centre
PO Box 2988

Yeovil

BA21 1WU, Großbritannien

Der Garantieanspruch muss während der Garantiezeit gestellt werden.

Sie müssen den Originalkaufbeleg mit Angabe des Kaufdatums einreichen und Ihren Namen und Ihre Adresse sowie den Ort des Kaufs angeben, bevor etwaige Arbeiten durchgeführt werden können.

Sie müssen genaue Angaben über den zu behebenden Defekt machen.

Alle innerhalb der Garantiefrist gemachten Forderungen werden von Silverline Tools daraufhin überprüft werden, ob es sich bei den Mängeln um einen Material- oder Fertigungsfehler handelt.

Versandkosten werden nicht zurückerstattet. Alle Artikel sollten sich in sauberem und sicherem Zustand befinden und sorgfältig verpackt zur Reparatur eingeschickt werden, um Schäden oder Verletzungen während des Transports zu vermeiden. Die Annahme unangemessener oder unsicherer Lieferungen kann von uns verweigert werden.

Alle Arbeiten werden von Silverline Tools oder seinen autorisierten Reparaturwerkstätten durchgeführt.

Die Reparatur oder der Ersatz des Artikels führt nicht zur Verlängerung des Garantiezeitraums. Mängel, bei denen unsere Prüfung ergibt, dass sie unter die Garantie fallen, werden durch kostenlose Reparatur des Werkzeugs (ohne Versandkosten) oder Ersatz durch ein Werkzeug in einwandfreiem Zustand behoben.

Einbehaltene Werkzeuge oder Teile, die ersetzt wurden, gehen in den Besitz von Silverline Tools über.

Die Reparatur bzw. der Ersatz Ihres Artikels unter dieser Garantie erfolgt zusätzlich zu Ihren gesetzlichen Rechten als Verbraucher und hat keine nachteiligen Folgen auf diese.

Durch die Garantie abgedeckt ist:

Die Reparatur des Artikels, nachdem zur Zufriedenheit von Silverline Tools nachgewiesen wurde, dass der Defekt durch fehlerhaftes Material oder mangelhafte Arbeitsausführung bedingt ist und in den Garantiezeitraum fällt.

Wenn ein Ersatzteil nicht mehr erhältlich ist oder nicht mehr hergestellt wird, kann Silverline Tools es gegen einen funktionellen Ersatz austauschen.

Verwendung des Artikels innerhalb der EU.

Durch die Garantie nicht abgedeckt ist:

Silverline Tools garantiert keine Reparaturen, die durch Folgendes erforderlich geworden sind:

Normale Verschleißerscheinungen, die trotz Verwendung entsprechend der Bedienungsanleitung entstehen, z.B. an Messern, Bürsten, Riemen, Glühbirnen, Batterien usw.

Ersatz von mitgeliefertem Zubehör wie etwa Bohrspitzen, Klingen, Schleifblättern, Schneidscheiben und anderen zugehörigen Teilen.

Unfallchäden und Fehler, die durch unsachgemäße Verwendung oder Wartung, Missbrauch, Nachlässigkeit oder fahrlässige Bedienung oder Handhabung des Artikels entstanden sind.

Verwendung des Artikels für andere als normale Haushaltszwecke.

Jegliche Veränderungen oder Modifikationen des Artikels.

Die Verwendung von Teilen oder Zubehör, die keine Originalkomponenten von Silverline Tools sind.

Fehlerhafte Montage (außer, wenn von Silverline Tools vorgenommen).

Reparaturen oder Änderungen, die von anderen als Silverline Tools oder seinen autorisierten Reparaturwerkstätten durchgeführt wurden.

Ansprüche, die über die Rechte zur Behebung von Mängeln an dem in diesen Garantiebedingungen genannten Werkzeug hinausgehen.

nicht auf natürliche Abnutzung oder Schäden infolge von Unfällen, unsachgemäßer Verwendung oder Zweckentfremdung.

EG-Konformitätserklärung

Name des Unterzeichners: Mr. Darrell Morris

Bevollmächtigt durch: Silverline Tools

Erklärt hiermit Folgendes:

Die alleinige Verantwortung für die Ausstellung dieser Erklärung trägt der Hersteller. Der Gegenstand der Erklärung erfüllt die einschlägigen Harmonisierungsrechtsvorschriften der Gemeinschaft.

Produktkennung: 943676

Produktbezeichnung: Hochdruckreiniger, 2100 W

Entspricht den folgenden Richtlinien und Normen:

- Maschinennichtlinie 2006/42/EG
- EMV-Richtlinie 2014/30/EU
- RoHS-Richtlinie 2011/65/EU
- Lärmschutzrichtlinie 2000/14/EG
- EN 60335-1:2012+A11:2014
- EN 60335-2-79:2012
- EN 62233:2008
- EN 55014-1:2006+A1-2009+A2:2011
- EN 55014-2:2015
- EN 61000-3-2:2014 • EN 61000-3-3:2013

Angewandtes Konformitätsbewertungsverfahren

2000/14/EG: Anhang III

Schalleistungspegel dB(A)

Gemessen: 89,71

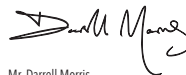
Garantiert: 92

Benannte Stelle: SGS

Techn. Unterlagen bei: Silverline Tools

Datum: 21.04.2017

Unterschiedet von:



Mr. Darrell Morris,

Geschäftsführender Direktor

Name und Anschrift des Herstellers:


Powerbox International Limited, Handelsregisternummer 06897059. Eingetragene Anschrift:
Powerbox, Boundary Way, Lufton Trading Estate, Yeovil, Somerset BA22 8HZ, Großbritannien

Introducción


Gracias por haber elegido esta herramienta Silverline. Estas instrucciones contienen la información necesaria para utilizar este producto de forma segura y eficaz. Lea atentamente este manual para obtener todas las ventajas y características únicas de su nueva herramienta. Conserve este manual a mano y asegúrese de que todas las personas que utilicen esta herramienta lo hayan leído y entendido correctamente.

Descripción de los símbolos

Los símbolos siguientes pueden aparecer en la placa de características de su herramienta. Éstos representan información importante sobre el producto o instrucciones relativas a su uso.


 Lleve protección auditiva
Lleve protección ocular
Lleve protección respiratoria
Lleve un casco de seguridad


 Lleve guantes de seguridad

 Lea el manual de instrucciones


 ¡Peligro!

 ¡Riesgo de electrocución!

 Protección de clase I (protección a tierra)

 De acuerdo con la normativa vigente, está prohibido utilizar esta herramienta sin un separador de sistema en la red de agua potable.

 Conforme a las normas de seguridad y la legislación correspondiente

 Protección medioambiental
Los productos eléctricos usados no se deben mezclar con la basura convencional. Están sujetos al principio de recogida selectiva. Solicite información a su ayuntamiento o distribuidor sobre las opciones de reciclaje.

Abreviaturas de términos técnicos

V	Voltio/s
~, AC	Corriente alterna
A, mA	Amperio/s, miliamperio/s
n0	Velocidad sin carga
°	Grados
Ø	Diámetro
Hz	Hercio/s
W, kW	Vatio/s, kilovatio/s
/min or min ⁻¹	(revoluciones/oscilaciones) por minuto

Características técnicas

Tensión	230-240 V, 50 Hz
Potencia	2100 W
Presión de trabajo (bar)	110 bar
Presión máxima (bar)	165 bar
Caudal de funcionamiento	6 l/min
Caudal máximo	7,2 l/min
Longitud de la manguera de alta presión	5 m
Capacidad del depósito de detergente	1 litro
Dosificación de detergente	Variable
Temperatura de la entrada de agua	5-50° C
Presión de la entrada de agua	4 bar
Clase de protección	Ⓢ
Grado de protección	IPX5
Longitud del cable de alimentación	5 m
Dimensiones (L x An x A)	330 x 360 x 890 mm
Peso	20 kg

Como parte de nuestra política de desarrollo de productos, los datos técnicos de los productos Silverline pueden cambiar sin previo aviso.

Información sobre ruido y vibración:

Conforme a la directiva de máquinas 2006/42/CE

Presión acústica L _{WA}	76,7 dB(A)
Potencia acústica L _{WA}	89,71 dB(A)
Incertidumbre K	2,5 dB
Vibración ponderada a _w	<2,5 m/s ²

Conforme la directiva emisiones sonoras 2000/14/CE:

Potencia acústica garantizada L _{WA}	93 dB(A)
El nivel de intensidad sonora para el usuario puede exceder de 85 dB(A).	
Se recomienda usar medidas de protección sonora.	

ADVERTENCIA: Utilice siempre protección auditiva cuando el nivel ruido exceda 85 dB(A) o cuando esté expuesto durante largos periodos de tiempo. Si por algún motivo nota algún tipo de molestia auditiva incluso llevando orejeras de protección, detenga inmediatamente la herramienta y compruebe que las orejeras de protección estén colocadas adecuadamente. Asegúrese de que el nivel de atenuación y protección de las orejeras sea adecuado dependiendo del tipo de herramienta y el trabajo a realizar.

ADVERTENCIA: La exposición a la vibración durante la utilización de una herramienta puede provocar pérdida del sentido del tacto, entumecimiento, hormigueo y disminución de la capacidad de sujeción. La exposición durante largos periodos de tiempo puede provocar enfermedad crónica. Si es necesario, limite el tiempo de exposición a la vibración y utilice guantes anti-vibración. No utilice la herramienta cuando sus manos estén muy frías, las vibraciones tendrán un mayor efecto. Utilice los datos técnicos de su herramienta para evaluar la exposición y medición de los niveles de ruido y vibración.

Los niveles de vibración y ruido están determinados según las directivas internacionales vigentes. Los datos técnicos se refieren al uso normal de la herramienta en condiciones normales. Una herramienta defectuosa, mal montada o desgastada puede incrementar los niveles de ruido y vibración. Para más información sobre ruido y vibración, puede visitar la página web www.osha.europa.eu

Lea cuidadosamente este manual y cualquier otra indicación antes de usar este producto. Guarde estas instrucciones con el producto para poderlas consultar en el futuro. Asegúrese de que todas las personas que utilicen este producto están completamente familiarizadas con este manual. Incluso cuando se esté utilizando según lo prescrito, tenga siempre precaución. Si no está completamente seguro de cómo utilizar este producto correctamente, no intente utilizarlo.

Instrucciones de seguridad para herramientas eléctricas

⚠ ADVERTENCIA: Lea siempre cuidadosamente todas las advertencias e instrucciones de seguridad para utilizar este producto de forma segura. No seguir estas instrucciones podría causar una descarga eléctrica, incendio y/o lesiones graves.

Conserve estas instrucciones de seguridad para futura referencia.

El término "aparato eléctrico" descrito en este manual se refiere a un aparato eléctrico alimentado por conexión eléctrica mediante cable (herramienta alámbrica) o un aparato eléctrico alimentado por batería (herramienta inalámbrica).

1) Seguridad en el área de trabajo

- a) Mantenga el área de trabajo limpia y bien iluminada. Las áreas de trabajo desordenadas y oscuras son peligrosas y pueden provocar un accidente.
- b) No utilice herramientas eléctricas en atmósferas explosivas que contengan líquidos, gases o polvos inflamables. Las herramientas eléctricas producen chispas que pueden incendiar el polvo o los vapores.
- c) Mantenga a los niños y personas alejadas mientras está trabajando con un aparato eléctrico. Las distracciones pueden hacerle perder el control del aparato eléctrico.

2) Seguridad eléctrica

- a) El enchufe de su aparato eléctrico debe coincidir con la toma de corriente. Nunca realice ningún tipo de modificación en el enchufe. No utilice adaptadores de enchufe sin toma de tierra. No modifique los enchufes y tomas de corriente para reducir el riesgo de descargas eléctricas.
- b) Evite el contacto corporal con materiales conductores tales como tuberías, radiadores, estufas y refrigeradores. El riesgo de descarga eléctrica se incrementa si su cuerpo está expuesto a materiales conductores.
- c) No doble el cable de alimentación. No use nunca el cable de alimentación para transportar el aparato eléctrico, tirar de ella o desenchufarla. Mantenga el cable de alimentación alejado de fuentes de calor, aceite, bordes afilados o piezas móviles. Los cables de alimentación dañados o empujados aumentan el riesgo de descargas eléctricas.
- d) Use un cable de extensión adecuado para uso exterior cuando utilice el aparato eléctrico en áreas exteriores. El uso de un cable adecuado para exteriores reducirá el riesgo de descargas eléctricas.
- e) Si es inevitable trabajar con un aparato eléctrico en lugares húmedos, use un suministro protegido por un interruptor diferencial o disyuntor por corriente diferencial o residual (RCD). El uso de un RCD reduce el riesgo de descargas eléctricas.

3) Seguridad personal

- a) Manténgase alerta, fíjese en lo que está haciendo y use el sentido común cuando esté utilizando un aparato eléctrico. No use un aparato eléctrico cuando esté cansado o bajo la influencia de drogas, alcohol o medicamentos. Distraerse mientras está utilizando un aparato eléctrico puede provocar lesiones corporales graves.
 - b) Utilice siempre equipo de protección personal. Use siempre protección ocular. El uso de dispositivos de seguridad personal (mascarillas antipolvo, calzado de seguridad antideslizante, casco de protección y protección auditiva) reducirá el riesgo de lesiones corporales.
 - c) Evite el arranque accidental del aparato eléctrico. Asegúrese de que el interruptor esté en la posición de apagado antes de enchufar el aparato eléctrico. Nunca transporte herramientas con el dedo colocado en el interruptor o con el interruptor en posición de encendido.
 - d) Retire todas las llaves de ajuste antes de encender el aparato eléctrico. Una llave colocada sobre una parte móvil del aparato eléctrico puede causar lesiones graves.
 - e) No adopte posturas forzadas. Colóquese en posición firme y mantenga el equilibrio en todo momento. Esto le permitirá controlar mejor el aparato eléctrico en situaciones inesperadas.
 - f) No deje que la familiaridad con el producto a base de utilizarlo repetidamente sustituya las normas de seguridad indicadas para utilizar esta herramienta. Utilizar esta herramienta de forma incorrecta puede causar daños y lesiones personales.
- ### 4) Uso y mantenimiento de las herramientas eléctricas
- a) Nunca fuerce el aparato eléctrico. Utilice este aparato eléctrico de forma adecuada. Utilice su herramienta de forma correcta para cada aplicación.
 - b) No use este aparato eléctrico cuando el interruptor de encendido/apagado esté averiado. Cualquier aparato eléctrico que no se pueda controlar con el interruptor de encendido/apagado será peligrosa y debe ser reparada inmediatamente.
 - c) Desenchufe siempre el aparato eléctrico o retire la batería antes de realizar cualquier ajuste, cambiar accesorios o almacenar el aparato eléctrico. Estas medidas de seguridad preventivas evitarán el arranque accidental de su aparato eléctrico.
 - d) Guarde siempre las herramientas eléctricas fuera del alcance de los niños. No permita que las personas que no estén familiarizadas con estas instrucciones utilicen el aparato eléctrico. Las herramientas eléctricas son peligrosas en manos de personas que no estén capacitadas para su uso.

- e) Compruebe regularmente el funcionamiento de sus herramientas eléctricas. Asegúrese de que no haya piezas en movimiento desalineadas o trabadas, piezas rotas o cualquier otro problema que pueda afectar al funcionamiento del aparato eléctrico. Repare siempre las piezas dañadas antes de utilizar el aparato eléctrico. La falta de mantenimiento es la causa de la mayoría de accidentes.
- f) Utilice este aparato eléctrico y los accesorios según el manual de instrucciones y teniendo en cuenta las condiciones y el trabajo que necesite realizar. El uso de este aparato eléctrico con un propósito distinto al cual ha sido diseñada podría ser peligroso y causar lesiones.
- g) Mantenga siempre las empuñaduras y superficies de agarre limpias y libres de grasa. Las empuñaduras y superficies resbaladizas pueden provocar la pérdida de control del aparato eléctrico de forma inesperada.
- 5) Mantenimiento y reparación
- a) Repare siempre su aparato eléctrico en un servicio técnico autorizado. Utilice únicamente piezas de recambio idénticas y homologadas. Esto garantizará un funcionamiento óptimo y seguro de su aparato eléctrico.

Instrucciones de seguridad para hidrolimpiadoras

- No utilice esta máquina bajo la lluvia. Mantenga secas todas las conexiones eléctricas. No permita que esta herramienta se moje. Nunca permita que entre agua en los orificios de ventilación.
- Conecte una válvula de retención entre la hidrolimpiadora a presión y el suministro de agua para evitar contaminar el suministro de agua. Alternativamente, puede conectar la hidrolimpiadora a un depósito de agua o similar.
- No intente utilizar esta herramienta en temperaturas inferiores a 0°C.
- Conecte un suministro continuo de agua limpia a la hidrolimpiadora. Utilizar la hidrolimpiadora sin agua o con agua sucia provocará daños en la bomba.
- NUNCA conecte la hidrolimpiadora a un suministro de agua caliente, esto provocará un funcionamiento incorrecto de la bomba y podría dañar la herramienta.
- Asegúrese de que el suministro de agua de la hidrolimpiadora mantiene una presión constante. Si el suministro de agua se comparte con otro aparato (ej. una lavadora), asegúrese de que el otro aparato esté apagado.
- La hidrolimpiadora siempre debe utilizarse en posición vertical.
- Tenga en cuenta que el rociador reculará ligeramente cuando utilice la hidrolimpiadora. Sujete siempre la lanza firmemente con ambas manos.
- Nunca dirija el chorro de agua hacia personas o animales. El chorro de agua es extremadamente potente y puede provocar lesiones graves. No dirija el chorro de agua hacia el cuerpo de la bomba o hacia otro aparato eléctrico.
- Sujete la lanza con precaución, no deje que la boquilla se golpee contra el suelo. No doble, aplaste ni tense la manguera.
- No intente lavar a presión ningún material que pueda contener asbesto.
- Tenga especialmente cuidado al limpiar con detergentes o cuando limpie grasa incrustada en las superficies. Elimine el agua contaminada adecuadamente. Tenga siempre en cuenta el medio ambiente y el riesgo de contaminación de los ríos y otros cursos de agua, además de la posibilidad de contaminantes que se acumulan en el suelo y la tierra. Trate de usar detergentes con moderación, no siempre son necesarios. Contacte con un agente medioambiental para para eliminar el agua residual de forma adecuada y responsable.

Características del producto

1.	Carrete para la manguera de alta presión
2.	Mango del carrete para la manguera
3.	Conector para la manguera
4.	Gancho para el cable de alimentación
5.	Interruptor de encendido/apagado
6.	Entrada de agua
7.	Soporte para la boquilla
8.	Abrazadera para la lanza
9.	Empuñadura frontal
10.	Empuñadura telescópica posterior
11.	Depósito de detergente
12.	Ruedas
13.	Cable de alimentación
14.	Conector de bayoneta de la lanza
15.	Conector de la manguera de alta presión
16.	Empuñadura de la lanza
17.	Gatillo
18.	Bloqueo del gatillo
19.	Boquilla
20.	Ajuste de presión
21.	Conector de bayoneta para la boquilla
22.	Conector de bayoneta hembra para la extensión de la lanza
23.	Conector de bayoneta macho para la extensión de la lanza
24.	Varilla metálica
25.	Conector para la entrada de agua
26.	Botón para ajuste de la empuñadura posterior

Aplicaciones

Hidrolimpiadora a presión eléctrica indicada para realizar tareas de limpiezas ligeras y medianas en patios, terrazas, vehículos y superficies similares. Indicada para usar con o sin detergente.

Desembalaje

- Desembale e inspeccione la herramienta con cuidado. Familiarícese con todas sus características y funciones.
- Asegúrese de que el embalaje incluya todas las piezas y compruebe que estén en buenas condiciones. Si faltan piezas o están dañadas, sustitúyalas antes de utilizar esta herramienta

Antes de usar

- Compruebe que todas las piezas/acoples estén bien seguros y que la manguera no esté doblada ni obstruida.
- Utilice siempre equipo de protección personal adecuado al trabajo que vaya a realizar. El uso de esta máquina requiere gafas de seguridad y prendas impermeables.
- Utilice siempre un interruptor diferencial o disyuntor por corriente diferencial o residual (RCD) cuando vaya a conectar la hidrolimpiadora a un suministro eléctrico con corriente de activación no superior a 30 mA y retraso de no más de 30 ms.
- Asegúrese de que todas las conexiones eléctricas estén alejadas lo máximo posible de la hidrolimpiadora.
- Utilice siempre cables de extensión diseñados para uso en exteriores. El cable debe disponer de protección contra la entrada de agua y aislamiento hermético.

- Esta herramienta debe conectarse siempre a conexiones con toma de tierra.
- Use siempre la hidrolimpiadora en posición vertical.

Montaje

- No conecte la hidrolimpiadora al suministro de agua ni a la red eléctrica antes de haber instalado todas las piezas.
- Desembale todas las piezas y accesorios de esta herramienta.

Ganchos y soportes

- Introduzca la abrazadera para la lanza (8) a través del soporte (Fig. I).
- Introduzca el soporte para la boquilla (7) en el soporte (Fig. II) y sujételo utilizando el tornillo suministrado.
- Introduzca el gancho para el cable de alimentación (4) en el soporte lateral (Fig. III).

Lanza

- Introduzca el vástago de la boquilla (19) dentro de la extensión de la lanza. A continuación, introduzcalos dentro del mango de la lanza (imagen A).
- Para ello deberá introducir el conector de bayoneta de la boquilla (21) en el conector de bayoneta de la extensión de la lanza (22). A continuación, deberá empujarlo y girarlo hasta que quede acoplado firmemente (imagen B).
- Introduzca el conector de bayoneta para la lanza (23) en el conector hembra de la lanza (14). A continuación, deberá empujarlo y girarlo hasta que quede acoplado firmemente (imagen C).

Nota: Utilice la abrazadera para la lanza (8) y coloque la boquilla (19) dentro del soporte para la boquilla (7) cuando no esté utilizando la lanza (imagen D).

Manguera de alta presión

1. Desenrolle la manguera fuera d el carrete (1) (imagen I).
2. Conecte el extremo de la manguera en el conector para la lanza (15) (imagen F) y enrosque la tuerca firmemente.

ADVERTENCIA: Si la manguera de alta presión está dañada puede romperse de forma inesperada. Nunca repare la manguera de alta presión, sustitúyala siempre por una nueva. Asegúrese siempre de que la manguera de alta presión no esté en contacto con objetos afilados ni superficies rugosas. Después de cada uso, enrolle siempre la manguera utilizando el mango para el carrete de la manguera (2) (imagen G y H).

Conexión al suministro de agua

ADVERTENCIA: Asegúrese de tener colocada una válvula de retención cuando conecte la hidrolimpiadora al suministro de agua doméstico, de esta forma evitará que la herramienta pueda contaminar el suministro de agua.

1. Retire la tapa de plástico del conector para la entrada de agua (6) (Fig. IV). Compruebe el estado del filtro regularmente y límpielo si es necesario.
2. Coloque el conector para la entrada de agua (25) (Fig. V) y apriételo con la mano.
3. Conecte la manguera en el conector para la entrada de agua.

Notas:

- Asegúrese de tener instalado un regulador de presión cuando la presión del suministro de agua sea mayor que la indicada en esta herramienta. La presión del suministro de agua doméstico en España es de 1 - 5 bar. Nunca exceda la presión máxima indicada en la sección "Características técnicas".
- En caso de no poder medir la presión del agua, recomendamos ajustar la hidrolimpiadora al nivel de presión mínimo para no dañar la herramienta. Alternativamente recomendamos utilizar siempre un regulador de presión. También puede utilizar un manómetro para comprobar la presión de agua.
- Nunca conecte la manguera al agua caliente, puede sobrecalentar y dañar la bomba.
- Asegúrese de que el flujo de agua sea constante durante el funcionamiento para no dañar la bomba. Compruebe que las conexiones sean seguras antes de encender la herramienta.

Conexión a un recipiente/contenedor de agua

Nota: La bomba de esta herramienta incluye una función de cebado automático ideal para utilizar en contenedores/recipientes de agua pluvial.

- Asegúrese de que el agua esté limpia y filtrada antes de utilizar esta herramienta. Asegúrese de que el agua no tenga sedimentos.
- Los recipientes de agua pluvial con salida de agua en la parte inferior ayudarán a mejorar la presión de agua de la herramienta.
- La longitud de la manguera de agua nunca debe ser superior a 3 m. El diámetro nunca debe ser menor a 19 mm.

Utilización del dispensador de detergente

- Retire el tapón del depósito de detergente (11) y llénelo de detergente para hidrolimpiadoras (imagen I).
- Esta herramienta está diseñada para dispensar detergente cuando la presión esté ajustada al nivel mínimo y solo agua cuando la presión esté ajustada al máximo.
- El nivel de detergente variará dependiendo del ajuste de presión seleccionado.

Ajuste de la empuñadura telescópica

- Pulse el botón para ajustar de la empuñadura posterior (26) para sacar la empuñadura telescópica (10) (imagen K).

Funcionamiento

Encendido

- Abra el suministro de agua antes de encender la herramienta para no dañar la bomba.
- Ajuste el bloqueo del gatillo (18) para bloquear el funcionamiento del gatillo (17) (imagen J).
- Conecte la hidrolimpiadora al suministro de agua y pulse el interruptor de encendido (5) (Fig. VI). La bomba se pondrá en funcionamiento inmediatamente aumentando la presión. Cada vez que apriete el gatillo la bomba regulará la presión de agua automáticamente. Cuando encienda la hidrolimpiadora por primera vez, puede que la bomba continúe en funcionamiento hasta que apriete el gatillo. No deje en funcionamiento la bomba durante más de 3 minutos. Apriete y suelte el gatillo para desactivar el funcionamiento continuo de la bomba. Utilice la herramienta cuando pasen 2 minutos aproximadamente después de encender la herramienta.
- Es importante purgar todo el aire que pueda haber en la manguera y la lanza. Desbloquee el gatillo y mantenga apretado el gatillo hasta que salga un chorro de agua continuo (esto puede durar hasta 2 minutos).

Apagado

- Siga siempre estas indicaciones después de utilizar la herramienta:
 1. Apague la herramienta y desconéctela de la toma de corriente.
 2. Cierre el suministro de agua.
 3. Apriete el gatillo (17) para purgar el agua acumulada.
 4. Desconecte la herramienta del suministro de agua.
 5. Extraiga toda el agua de la hidrolimpiadora y la manguera. Guarde la herramienta en un lugar seco.

ADVERTENCIA: No desconecte el suministro de agua antes de apagar la bomba ya que esta no puede funcionar sin agua.

ADVERTENCIA: Nunca desconecte la manguera de alta presión sin antes haberla despresurizado.

Utilización de la hidrolimpiadora

- Para rociar agua, desactive el bloqueo del gatillo y apriete el gatillo (17). Asegúrese de sujetar la lanza firmemente ya que producirá un ligero retroceso cuando empiece a funcionar.
- Utilice el mecanismo de bloqueo del gatillo (18) para bloquear el gatillo cuando sea necesario (imagen J).
- La boquilla (19) puede ajustarse para ajustarel patrón de rociado de fino a grueso. (imagen M)
- Recomendamos comenzar siempre con la boquilla ajustada en modo fino (sentido antihorario) hasta conseguir la distancia y el patrón deseado.
- Utilice el ajuste de presión (20) (imagen M) para regular la presión de salida. Suelte el gatillo cada vez que quiera ajustar la presión de salida.
- Esta herramienta incluye un dispositivo térmico contra sobrecalentamiento para detener la bomba en caso de sobrecalentamiento. La herramienta se reiniciará una vez que se haya enfriado. Intente siempre no forzar la herramienta, deje que la bomba se enfríe regularmente.
- Tenga precaución en no dañar la superficie de trabajo especialmente cuando utilice un chorro de agua fino. Disminuya la presión del agua y manténgase a una distancia adecuada.
- Se recomienda sujetar la lanza formando un ángulo de 45° con la superficie a limpiar. Así conseguirá un control máximo y una limpieza más eficaz.
- Realice primero una prueba de limpieza sobre una zona no visible para comprobar que el proceso de limpieza y el detergente no dañen la superficie de trabajo, especialmente en juntas entre ladrillos y losas para terraza.

Utilización del detergente

- Existen varios productos de limpieza especialmente diseñados para limpiar terrazas, vehículos, madera y plástico y detergentes multiusos.
- Llene el dispensador de detergente (11) con el tipo de detergente requerido.
- Coloque el ajuste de presión (20) en un ajuste de presión bajo (marcado con '-' y '+') para dispensar el detergente (imagen M).
- Una vez haya completado la tarea, ajuste la lanza al nivel de presión al máximo y pulse el gatillo para rociar con agua limpia.

Notas:

- Generalmente, el proceso de limpieza se realiza primero aplicando agua a presión sobre la superficie, después se aplica detergente y finalmente se enjuaga con agua limpia.
- El detergente necesita unos minutos de reposo después de su aplicación. Para mejor resultado deje reposar el detergente entre 2 - 5 minutos, a continuación enjuáguelo con agua limpia. También puede utilizar un cepillo para retirar la suciedad incrustada. No deje que el detergente se seque en la superficie de trabajo antes de enjuagarlo.
- No utilice detergentes no aptos para hidrolimpiadoras, puede contener agentes químicos que pueden dañar las juntas.
- Lea siempre las instrucciones suministradas por el fabricante de detergente para optimizar el uso del detergente, especialmente si es un detergente concentrado. Recomendamos ajustar la presión de la herramienta en un punto medio e incrementar o disminuir el ajuste de presión hasta conseguir el nivel de detergente deseado.

Accesorios

- Existen gran variedad de accesorios y piezas de repuesto para esta herramienta disponibles en su distribuidor Silverline más cercano o a través de www.toolsparsonline.com

Mantenimiento

Limpieza

- Mantenga la herramienta siempre limpia.
- Antes de guardar la herramienta, extraiga toda el agua de la bomba.
- Con el paso del tiempo la boquilla (19) puede quedar obstruida, afectando al funcionamiento de la herramienta. Limpie la boquilla regularmente utilizando la varilla metálica (24) suministrada (imagen L). También puede limpiar la boquilla con ayuda de una manguera, introduciéndole un chorro de agua dentro de la boquilla. La limpieza periódica dependerá del tipo de agua utilizada.
- Compruebe regularmente que el filtro del conector para la entrada de agua (25) no esté obstruido. Asegúrese de mantener el filtro siempre limpio. Retire el conector de la entrada de agua para poder acceder al filtro.

Almacenaje

- Guarde esta herramienta y accesorios en un lugar seco con una temperatura superior a 0° C.

Reciclaje

Deshágase siempre de las herramientas eléctricas adecuadamente respetando las normas de reciclaje indicadas en su país.

- No deseche las herramientas y aparatos eléctricos junto con la basura convencional. Reciclelos siempre en puntos de reciclaje.
- Póngase en contacto con la autoridad local encargada de la gestión de residuos para obtener más información sobre cómo reciclar este tipo de herramientas correctamente.

Solución de problemas

Problema	Causa	Solución
El detergente no funciona	La presión de la lanza no está ajustada al mínimo	Ajuste la presión sin apretar el gatillo
Humo	Motor sobrecalentado o dañado	NO UTILICE LA HERRAMIENTA. Contacte con un servicio técnico Silverline
La herramienta no se enciende	Presurizado	Apriete el gatillo antes de encender la herramienta
	La herramienta no está enchufada a la toma de corriente	Enchufe la herramienta a la toma eléctrica
	El interruptor diferencial (RCD) ha saltado	Accione el interruptor diferencial (RCD)
	El fusible se ha fundido (solo para RU)	Sustituya el fusible. Contacte con un servicio técnico Silverline si vuelve a fundirse al encender la herramienta
	El interruptor térmico de seguridad en funcionamiento	Apague la herramienta y deje que se enfríe el motor
Presión de pulverización baja	El filtro de la entrada de agua está obstruido	Limpie el filtro
	La manguera de alta presión tiene una fuga o aire	Compruebe la conexión de la manguera a presión
	Las válvulas de presión o juntas están dañadas	Contacte con un servicio técnico Silverline
Presión de agua irregular	La bomba está succionando aire	Compruebe la conexión de la manguera a presión
	Boquilla obstruida	Vea las indicaciones en la sección "Mantenimiento"
Parada repentina del motor	El interruptor térmico de seguridad en funcionamiento	Apague la herramienta y deje que se enfríe el motor
Fuga de agua en la bomba	Juntas desgastadas	Contacte con un servicio técnico Silverline

Garantía

Este producto Silverline dispone de una garantía de 3 años.

Para obtener la garantía de 3 años, deberá registrar el producto en www.silverlinetools.com antes de que transcurran 30 días. El periodo de garantía será válido desde la fecha indicada en su recibo de compra.

Registro del producto

Visite: silverlinetools.com, seleccione el botón de registro e introduzca:

- Sus datos personales
- Detalles del producto e información de compra

El certificado de garantía le será enviado en formato PDF. Imprímalo y guárdelo con el producto.

Condiciones

El periodo de garantía entra en vigor a partir de la fecha indicada en el recibo de compra.

GUARDE EL RECIBO DE COMPRA

Si el producto se ha averiado antes de que transcurran 30 días desde la fecha de compra, deberá devolverlo a su lugar de compra, junto con el recibo de compra y los detalles de la avería. En este caso, le sustituiremos el producto o le reembolsaremos el importe.

Si el producto se ha averiado después de que transcurran 30 días desde la fecha de compra, devuélvalo a:

Servicio Técnico Silverline Tools

PO Box 2988

Yeovil

BA21 1WU, Reino Unido.

La reclamación siempre debe presentarse durante el periodo de garantía.

Antes de poder realizar cualquier trabajo de reparación, deberá entregar el recibo de compra original en el que se indica la fecha de compra, su nombre, dirección y el lugar donde lo adquirió.

También deberá indicar claramente los detalles del fallo a reparar.

Las reclamaciones presentadas dentro del periodo de garantía deberán ser verificadas por Silverline Tools para averiguar si las deficiencias son consecuencia de los materiales o de la mano de obra del producto.

Los gastos de transporte no son reembolsables. Los productos enviados deben estar limpios y en buenas condiciones para su reparación, deberán empaquetarse cuidadosamente con el fin de evitar que se produzcan daños durante el transporte. Silverline Tools se reserva el derecho a rechazar envíos incorrectos o inseguros.

Todas las reparaciones serán realizadas por Silverline Tools o por un servicio técnico autorizado.

La reparación o sustitución del producto no prolongará el periodo de garantía.

Si la avería está cubierta por la garantía, la herramienta será reparada sin cargo alguno (salvo los gastos de envío), o bien la sustituiremos por una herramienta en perfecto estado de funcionamiento.

Las herramientas o piezas que hayan sido sustituidas serán propiedad de Silverline Tools.

La reparación o sustitución del producto bajo garantía aporta beneficios adicionales a sus derechos legales como consumidor, sin afectarlos.

Qué está cubierto:

Silverline Tools deberá comprobar si las deficiencias se deben a materiales o mano de obra defectuosos dentro del periodo de garantía.

En caso de que cualquier pieza no estuviera disponible o estuviera fuera de fabricación, Silverline Tools la sustituirá por una pieza funcional con las mismas características.

Uso del producto en la Unión Europea.

Qué no está cubierto:

Silverline Tools no garantiza las reparaciones causadas por:

Desgaste normal por uso adecuado de la herramienta, por ejemplo hojas, escobillas, correas, bombillas, baterías, etc...

La sustitución de cualquier accesorio suministrado: brocas, hojas, papel de lija, discos de corte y otras piezas relacionadas.

Daño accidental, averías debidas a uso o cuidado negligente, uso incorrecto, negligencia, funcionamiento o manejo indebido del producto.

Utilizar del producto para una finalidad distinta.

Cualquier cambio o modificación del producto.

El uso de piezas y accesorios que no sean recambios originales de Silverline Tools.

Instalación incorrecta (excepto si fue realizada por Silverline Tools).

Reparaciones o alteraciones realizadas por servicios técnicos no autorizados por Silverline Tools.

Las reparaciones distintas a las indicadas en las presentes condiciones de garantía no estarán cubiertas.

Declaración de conformidad CE

El abajo firmante: Mr Darrell Morris

Autorizado por: Silverline Tools

Declara que el producto:

La presente declaración de conformidad se expide bajo la exclusiva responsabilidad del Fabricante. El objeto de la declaración descrita anteriormente es conforme a la legislación comunitaria de armonización pertinente.

Código de identificación: 943676

Descripción: Hidrolimpiadora 2100 W

Está en conformidad con las directivas:

- Directiva de máquinas 2006/42/CE
- Compatibilidad electromagnética 2014/30/UE
- Directiva RoHS 2011/65/UE
- Directiva de emisiones sonoras debidas a las máquinas de uso al aire libre 2000/14/CE
- EN 60335-1:2012+A11:2014
- EN 60335-2-79:2012
- EN 62233:2008
- EN 55014-1:2006+A1:2009+A2:2011
- EN 55014-2:2015
- EN 61000-3-2:2014
- EN 61000-3-3:2013

Método de evaluación conforme:

2000/14/CE: Anexo III

Nivel de potencia acústica dB(A)

Medido: 89,71

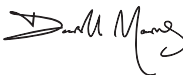
Garantizado: 92

Organismo notificado: SGS

La documentación técnica se conserva en: Silverline Tools

Fecha: 21/04/17

Firma:



Mr Darrell Morris

Director General

Nombre y dirección del fabricante:

Powerbox International Limited, N° de registro: 06897059. Dirección legal:

Powerbox, Boundary Way, Lufton Trading Estate, Yeovil, Somerset BA22 8HZ, Reino Unido.

Introduzione

Grazie per aver acquistato questo utensile Silverline. Queste istruzioni contengono informazioni utili per il funzionamento sicuro ed affidabile del prodotto. Per essere sicuri di utilizzare al meglio il potenziale dell'utensile si raccomanda pertanto di leggere a fondo questo manuale. Conservare il manuale in modo che sia sempre a portata di mano e accertarsi che l'operatore dell'elettroutensile lo abbia letto e capito a pieno.

Descrizioni dei simboli

La targhetta sul vostro utensile può mostrare simboli. Questi rappresentano informazioni importanti riguardanti il prodotto o istruzioni sul suo utilizzo.



Indossare la protezione acustica
Indossare occhiali di protezione
Indossare una protezione per la respirazione
Indossare il casco



Indossare la protezione delle mani



Leggere il manuale di istruzioni



Attenzione!



Rischio di fulminazione!



Costruzione di classe I (messa a terra)



Secondo la normativa vigente, l'apparecchio non deve mai essere utilizzato per la fornitura di acqua potabile, senza un separatore!



Conforme agli standard legislativi e di sicurezza.



Protezione ambientale
I rifiuti elettrici non possono essere smaltiti con i rifiuti domestici. Riciclare dove esistono strutture idonee. Verificare con le autorità locali o con il vostro rivenditore per consigli sul riciclaggio.

Abbreviazioni tecniche

V	Volt
~, AC	Corrente alternata
A, mA	Ampere, milliampere
n0	X
°	Gradi
Ø	Diametro
Hz	Hertz
W, kW	Watt, kilowatt
/min or min ⁻¹	Operazioni al minuto

Specifiche tecniche

Tensione	230-240 V~50 Hz
Potenza	2100 W
Pressione di esercizio (Bar)	110
Pressione max.(Bar)	165
Portata	6,0 l/min.
Portata max.	7,2 l/min.
Lunghezza tubo flessibile ad alta pressione	5 m
Proporzione detergente	1 l
Rapporto acqua/detergente	variabile
Temperatura acqua in ingresso	5-50°C
Pressione dell'acqua in ingresso (max.)	4 bar
Classe di protezione	IPX5
Protezione d'ingresso	IPX5
Lunghezza cavo di alimentazione	5 m
Dimensioni (L x W x H)	330 x 360 x 890 mm
Peso	20 kg

Come parte del nostro continuo sviluppo del prodotto, le specifiche dei prodotti Silverline possono variare senza preavviso.

Informazioni sui suoni e vibrazioni

Secondo la direttiva sui macchinari 2006/42/CE:

Pressione sonora L_{pA}	76,7 dB(A)
Potenza sonora L_{WA}	89,71 dB(A)
Incertezza K	2,5 dB
Vibrazione ponderata $a_{h,v}$	<2,5 m/s ²

Secondo la direttiva sui suoni esterni 2000/14/CE:

Potenza Sonora garantita L_{WA}	93 dB(A)
-----------------------------------	----------

Il livello di intensità del suono per l'operatore può superare i 85 dB (A), sono quindi necessarie delle misure di protezione dal suono

ATTENZIONE: Indossare sempre protezioni per le orecchie, quando il livello sonoro supera i 85 dB (A) e limitare il tempo di esposizione, se necessario. Se i livelli sonori diventano sgradevoli, anche con la protezione per le orecchie, smettere di usare l'utensile immediatamente e controllare che la protezione acustica sia montata correttamente e che fornisca il corretto livello di isolamento acustico per il livello del suono prodotto dal vostro utensile.

ATTENZIONE: L'esposizione dell'utente alle vibrazioni dell'utensile può causare la perdita del senso del tatto, intorpidimento, formicolio e riduzione della capacità di presa. Una lunga esposizione può portare ad una condizione cronica. Se necessario, limitare la durata di esposizione alle vibrazioni e utilizzare guanti anti-vibrazione. Non utilizzare l'utensile se la temperatura delle mani è al di sotto del normale, in quanto ciò farà sì che l'effetto delle vibrazioni sia maggiore. Utilizzare i dati forniti nella specifica relativa alle vibrazioni per calcolare la durata e la frequenza di funzionamento dell'utensile.

I livelli sonori e le vibrazioni nella specifica sono determinati seguendo gli standard internazionali. Le figure rappresentano un normale utilizzo per l'utensile in normali condizioni di lavoro. Un utensile tenuto in cattive condizioni, montato in modo errato o utilizzato in maniera impropria può essere causa di un aumento dei livelli sonori e delle vibrazioni. www.osha.europa.eu fornisce informazioni sui livelli sonori e delle vibrazioni nei luoghi di lavoro utili agli utenti domestici che utilizzano utensili per lunghi periodi di tempo.

Leggere attentamente e comprendere questo manuale e qualsiasi targhetta sull'utensile prima di utilizzarlo. Conservare queste istruzioni per eventuali consultazioni future. Assicurarsi del fatto che qualsiasi persona operi l'idropulitrice lo abbia letto e compreso appieno.

Anche se utilizzata come prescritto, non è possibile eliminare eventuali rischi residui. Utilizzare con cautela. Se non si è certi riguardo all'utilizzo corretto di questo articolo, non utilizzarlo.

Norme generali di sicurezza

⚠ AVVERTENZA: Leggere ed assimilare tutte le istruzioni. La non osservanza delle seguenti istruzioni può causare scosse elettriche, incendi e/o lesioni gravi.

Conservare tutte le avvertenze di pericolo e le istruzioni operative per ogni esigenza futura.

Il termine "elettroutensile" si riferisce all'utensile a rete fissa (con filo) o un utensile a batteria (senza filo).

1) Area di lavoro

- Mantenere l'area di lavoro pulita e adeguatamente illuminata. Il disordine e le zone di lavoro non illuminate possono essere fonte di incidenti.
- Non usare gli elettroutensili in presenza di atmosfere esplosive, come liquidi, gas e polveri infiammabili. Gli elettroutensili producono scintille che potrebbero accendere le polveri o i fumi.
- Tenere altre persone e i bambini a distanza di sicurezza durante l'impiego dell'utensile elettrico. Eventuali distrazioni potrebbero far perdere il controllo dell'utensile all'operatore.

2) Sicurezza elettrica

- Le spine degli elettroutensili devono essere compatibili con le prese di corrente. Non modificare in alcun modo la spina dell'elettroutensile. Non usare adattatori con gli elettroutensili dotati di collegamento di messa a terra. L'uso delle spine originali non modificate e delle prese corrispondenti ridurrà il rischio di scosse elettriche.
- Evitare il contatto del corpo con le superfici collegate a massa come i tubi, i radiatori, le cucine e i frigoriferi. Se il corpo dell'operatore è collegato alla terra o alla massa il rischio di scosse elettriche è maggiore.
- Non usare il cavo in modo improprio. Non afferrare mai il cavo per trasportare, tirare o staccare l'elettroutensile dalla presa di corrente. Tenere il cavo lontano da fonti di calore, olio e sostanze affini, bordi appuntiti o parti in movimento. I cavi danneggiati o attorcigliati aumentano il rischio di scosse elettriche.
- Qualora si voglia usare l'utensile all'aperto, usare cavi di prolunga compatibili con l'uso in ambienti esterni. Un cavo idoneo all'uso in ambienti esterni riduce il rischio di scosse elettriche.
- Se l'utilizzo di un elettroutensile in ambiente umido è inevitabile, utilizzare una fonte di alimentazione protetta da un dispositivo differenziale. L'uso di un dispositivo differenziale riduce notevolmente il rischio di scosse elettriche.

3) Sicurezza personale

- Quando si usa un elettroutensile lavorare sempre con la massima attenzione e concentrazione, lasciandosi guidare dal buon senso. Non usare mai un elettroutensile quando si è stanchi o sotto l'effetto di medicinali e/o sostanze alcoliche o stupefacenti. Quando si usa un elettroutensile un attimo di distrazione è sufficiente a causare gravi lesioni alle persone.
 - Usare dispositivi per la protezione personale. Indossare sempre protezioni per gli occhi. I dispositivi per la sicurezza personale, come le mascherine antipolvere, le calzature di sicurezza antiscivolo, il casco e la cuffia, se usati in maniera appropriata, riducono i rischi di lesioni alle persone.
 - Evitare l'avviamento accidentale. Assicurarsi del fatto che l'interruttore si trovi in posizione arresto (OFF) prima di collegare la spina e/o batteria, prendere in mano o trasportare l'utensile. Trasportare gli elettroutensili con il dito al di sopra dell'interruttore o collegando l'elettroutensile con l'interruttore acceso, aumenta il rischio di incidenti.
 - Rimuovere tutte le chiavi di regolazione e le chiavi inglesi prima di accendere l'elettroutensile. Una chiave inglese o una chiave di regolazione collegata a una parte in movimento dell'elettroutensile potrebbe causare lesioni alle persone.
 - Non andare oltre l'altezza consentita. In qualsiasi momento mantenere i piedi poggiati su superfici solide e un punto di appoggio sicuro. Un buon equilibrio consente di avere il massimo controllo sull'elettroutensile nelle situazioni inaspettate.
 - Non lasciare che la familiarità acquisita con l'utensile, grazie al suo utilizzo frequente, vi faccia sottovalutare gli eventuali rischi connessi all'uso e le istruzioni di sicurezza. La mancanza di attenzione può portare a gravi ferimenti, nel giro di pochi secondi.
- ### 4) Utilizzo e cura di un elettroutensile
- Non forzare l'elettroutensile. Usare sempre l'elettroutensile corretto per il lavoro da eseguire. L'elettroutensile corretto sarà in grado di svolgere il lavoro in modo più efficiente e sicuro nell'ambito della gamma di potenza indicata.
 - Non usare l'elettroutensile se l'interruttore di accensione non si accende e si spegne. Gli elettroutensili con un interruttore di accensione difettoso sono pericolosi e devono essere riparati immediatamente.
 - Staccare la spina dalla presa di corrente prima di effettuare qualsiasi regolazione, sostituire gli accessori o riporre gli attrezzi a motore. Queste misure di sicurezza preventive riducono il rischio di avvio involontario.
 - Conservare l'elettroutensile fuori dalla portata dei bambini e non lasciare che venga utilizzato da persone non adeguatamente addestrate e competenti nell'uso degli elettroutensili o che non abbiano letto questo manuale di istruzioni. Gli elettroutensili diventano estremamente pericolosi nelle mani di persone non addestrate.

- Effettuare la manutenzione degli elettroutensili. Controllare che non ci sia un disallineamento o un blocco delle parti in movimento, la rottura di alcune componenti e altre condizioni che possano influire sul funzionamento dell'apparecchio. In caso di danneggiamento, fare ripara prima di riutilizzarlo. Molti incidenti sono causati da una scarsa manutenzione dell'utensile.

- Utilizzare l'elettroutensile e tutti i componenti e gli accessori in conformità con le istruzioni di questo manuale e nella maniera prevista per ciascun tipo di utensile, tenendo conto delle condizioni lavorative e del compito da eseguire. L'utilizzo degli elettroutensili per fini diversi da quelli previsti rappresenta un rischio per le persone.

- Mantenere le impugnature asciutte, pulite e prive di oli e/o grassi. Delle impugnature scivolose compromettono l'utilizzo sicuro dell'utensile.

5) Assistenza

- Qualsiasi intervento sull'elettroutensile deve essere eseguito da personale qualificato utilizzando unicamente pezzi di ricambio compatibili e approvati. Ciò garantisce la sicurezza dell'elettroutensile.

Sicurezza aggiuntiva per idropulitrice

- Non utilizzare la macchina sotto la pioggia. Tenere tutti i collegamenti elettrici asciutti. Non permettere che la macchina si bagni. Non permettere all'acqua di entrare nei fori di ventilazione
- Collegare sempre un disconnettore (chiamata anche valvola di ritenuta reflusso) tra l'idropulitrice a pressione e la rete di acqua potabile per evitare che un riflusso contamini l'approvvigionamento di acqua. In alternativa, collegare l'idropulitrice ad un barile di acqua o un'altra fonte di acqua
- Non tentare di utilizzare la macchina a temperature inferiori a 0°C
- Collegare sempre l'idropulitrice a una fonte di acqua potabile a "flusso continuo". L'utilizzo dell'idropulitrice a secco o con acqua sporca, può provocare danni permanenti alla pompa
- Non collegare mai l'idropulitrice ad una fonte di acqua calda, questo potrebbe compromettere il funzionamento della pompa e potrebbe risultare in un danno permanente
- Assicurarsi che l'alimentazione dell'acqua sia ad una pressione costante. Se la fonte d'acqua è "condiviso" da un altro dispositivo (ad esempio la lavatrice), assicurarsi del fatto che l'altro apparecchio sia spento
- L'idropulitrice va sempre utilizzata in una posizione verticale
- Tenere presente il fatto che la lancia produrrà un rinculo quando l'idropulitrice è in funzione. Tenere la lancia in modo sicuro
- Non dirigere mai il getto d'acqua verso persone o animali. Il getto d'acqua è estremamente potente e può causare gravi lesioni. Non dirigere il getto d'acqua verso il corpo della pompa o verso altre apparecchiature elettriche
- Maneggiare con cura la lancia, non permettere all'ugello di cadere per terra. Non permettere che i tubi subiscano torsioni, schiacciature o che vengano forzati.
- Non tentare di utilizzare l'idropulitrice ad alta pressione con qualsiasi materiale che si sospetti contenere amianto
- Quando si utilizzano detersivi, olio o grasso, assumersi la responsabilità delle eventuali acque reflue contaminate si possono produrre. Prendere in considerazione sempre l'ambiente e il rischio di inquinamento di torrenti e altri corsi d'acqua, in più la possibilità di accumulo di contaminanti nel suolo. Provare ad utilizzare detersivi con parsimonia, non sono sempre necessari. Contattare l'agenzia ambientale locale per informarsi su come trattare tali acque reflue legalmente e responsabilmente

Familiarizzazione con il prodotto

1.	Avvolgitubo
2.	Manovella avvolgitubo
3.	Connettore tubo flessibile
4.	Gancio cavo di alimentazione
5.	Interruttore ON/OFF
6.	Ingresso acqua
7.	Supporto ugello
8.	Supporto lancia
9.	Manico frontale
10.	Manico telescopico posterior
11.	Bottiglia di detergente
12.	Rotelle
13.	Cavo di alimentazione
14.	Incasto della lancia
15.	Connettore tubo alta pressione
16.	Impugnatura lancia
17.	Grilletto
18.	Blocco grilletto
19.	Ugello
20.	Regolatore di pressione
21.	Connettore a baionetta ugello
22.	Feritoia dell'estensione della lancia
23.	Connettore a baionetta dell'estensione della lancia
24.	Spillo di pulizia
25.	Connettore rapido all'ingresso acqua
26.	Pulsante di rilascio del manico telescopico posteriore

Uso previsto

Idropultrice a uso generico. Per lavori di pulizia leggera o media su veicoli, in casa o su superfici adatte, utilizzando un getto di acqua fredda, acqua pressurizzata con o senza detergente.

Disimballaggio dell'utensile

- Disimballare e ispezionare l'utensile. Familiarizzare completamente con tutte le sue caratteristiche e funzioni
- Assicurarsi che tutte le parti dell'utensile siano presenti e in buone condizioni. In caso di parti mancanti o danneggiate, sostituire tali parti prima di utilizzare questo utensile

Prima dell'uso

- Controllare sempre che tutte le componenti e gli accessori siano ben fissati e che non ci siano perdite od ostruzioni
- Indossare l'abbigliamento protettivo appropriato. Per l'utilizzo di questo apparecchio, è necessaria una protezione per gli occhi
- Si raccomanda di utilizzare questo apparecchio con un dispositivo di corrente residua (RCD) con una corrente differenziale nominale di 30 mA o meno e un ritardo di non meno di 30 ms
- Assicurarsi del fatto che le prese di connessione elettriche si trovino il più lontano possibile dal getto d'acqua
- Utilizzare esclusivamente prolunghe adatte all'utilizzo esterno e capaci di sostenere la corrente di questo apparecchio. Questo prodotto deve essere protetto dall'ingresso di acqua e le sue connessioni elettriche dovrebbero essere ermeticamente isolate

- Questo prodotto va connesso a prese e prolunghe con messa a terra
- Utilizzare sempre l'idropultrice verticalmente e assicurarsi che venga utilizzata su superfici piatte e lisce

Montaggio

- Non collegare l'idropultrice alla rete idrica o elettrica fino a quando non è completamente assemblata e pronta all'uso
- Rimuovere tutti i materiali di imballaggio del prodotto

Ganci e supporti

- Lasciar scorrere il supporto lancia (8) nella clip laterale (Fig. I)
- Far scorrere nuovamente il supporto ugello (7) nella clip (Fig. II) e fissare con la vite in dotazione
- Far scivolare il gancio del cavo di alimentazione (4) nella clip laterale (Fig. III)

Lancia

- Montare la lancia connettendola all'ugello (19) dentro l'estensione della lancia (Immagine A)
- Inserire il connettore a baionetta dell'ugello (21) nella feritoia dell'estensione della lancia (22), premere e ruotare per bloccare in posizione (Immagine B)
- Introdurre il connettore a baionetta dell'estensione della lancia (23) nell'incasso della lancia (14), premere e ruotare per bloccare in posizione (Immagine C)

NB: utilizzare il supporto lancia (8) e il supporto ugello (7) (Immagine D), quando non si sta utilizzando l'idropultrice.

Tubo ad alta pressione

1. Tirare il tubo dall'avvolgitubo (1) prestando molta attenzione (Immagine E)
2. Collocare l'estremo del tubo al connettore del tubo ad alta pressione (15) (Immagine F) e stringere il dado

ATTENZIONE: Se il tubo flessibile ad alta pressione è danneggiato può scoppiare e causare lesioni. Un tubo danneggiato deve essere sostituito, non riparato. Controllare regolarmente ed evitare che il tubo venga a contatto con oggetti taglienti o superici. Dopo l'utilizzo, riavvolgere il tubo con la manovella dell'avvolgitubo (2) (Immagine G e H).

Allacciamento all'acqua

Attenzione: Quando si collega un'idropultrice ad una alimentazione d'acqua per uso domestico, è importante che una valvola anti-reflusso sia montato al tubo (chiamata anche valvola di ritenuta reflusso). Ciò garantirà che l'idropultrice non contamini la rete idrica in caso di reflusso.

1. Togliere il tappo di plastica dall'ingresso acqua (6) (Fig. IV). Controllare il filtro all'interno del connettore di ingresso dell'acqua sia libero da detriti o qualsiasi altro materiale. Nel corso del tempo possono accumularsi detriti. Il filtro va quindi controllato regolarmente e tutti i detriti accumulati vanno rimossi
2. Inserire il connettore rapido all'ingresso acqua (25) e serrare a mano (Fig. V)
3. Collegare un tubo dalla fonte di alimentazione dell'acqua all'ingresso acqua

NB:

- Nelle specifiche tecniche vengono elencate le pressioni adatte al connettore di ingresso dell'acqua. Non superare i limiti indicati nelle specifiche
- Se non si sa come misurare la pressione dell'acqua, mantenerla bassa per prevenire danni all'idropultrice. Impostare la pressione su un valore medio tra quello più basso e quello più alto supportati dall'idropultrice. In alternativa, si può utilizzare un manometro per misurare l'esatta pressione dell'acqua
- Non collegare ad una fonte di acqua calda. Questo impedirebbe alla pompa di raffreddarsi e nel tempo potrebbe danneggiare le guarnizioni
- È importante mantenere una buona connessione di acqua durante il funzionamento di un'idropultrice, in quanto la pompa può danneggiarsi senza alcun apporto di acqua. Assicurarsi che i collegamenti siano sicuri prima di accendere l'idropultrice

Allacciamento ad altre sorgenti d'acqua

NB: la pompa di questo dispositivo include una funzione autoadescente ideale per l'utilizzo in contenitori/recipienti di acqua pluviale.

- Assicurarsi del fatto che l'acqua sia pulita e filtrata prima di utilizzare questo dispositivo. Assicurarsi che l'acqua non contenga sedimenti.
- I recipienti di acqua pluviale con uscita nella parte inferiori aiuteranno a migliorare la pressione dell'acqua dell'idropultrice

La lunghezza del tubo flessibile non dovrebbe superare i 3 m. Il diametro non dovrebbe essere inferiore a 19 mm.

Riempire la bottiglia di detergente

- Rimuovere il tappo della bottiglia di detergente (11) e riempire con un detersivo compatibile (Immagine I)
- L'idropulitrice è progettata per rilasciare detergente a pressione bassa e rilasciare acqua con l'alta pressione
- Il rapporto acqua/detergente dipende dall'impostazione di pressione

Regolare il manico telescopico posteriore

- Premere il pulsante di rilascio del manico telescopico posteriore (26) e sollevare o abbassare il manico telescopico posteriore (10) (Immagine K)

Funzionamento

Accensione

- Aprire sempre il rubinetto dell'acqua prima di accendere per proteggere la pompa da eventuali danni
- Impostare il blocco grilletto (18) per prevenire che il grilletto (17) venga premuto (Immagine J)
- Connettere l'idropulitrice alla rete e premere l'interruttore ON/OFF (5) (Fig. VI). La pompa entrerà immediatamente in funzione e creerà automaticamente la pressione. La pressione si ricreerà ogni qual volta verrà premuto il grilletto
- Spurgare l'aria dai tubi e dalla lancia prima di utilizzare l'idropulitrice. Disabilitare il blocco grilletto (15) e premere il grilletto finché l'acqua non viene erogata in un getto costante. Ciò potrebbe richiedere 2 minuti o più nel primo utilizzo

Spegnere

- Una volta finito di utilizzare l'idropulitrice, seguire la procedura descritta qui di seguito:

1. Spegnere la macchina e disconnetterla dall'alimentazione elettrica
2. Interrompere l'approvvigionamento di acqua
3. Premere il grilletto (17) e spurgare la pressione accumulata
4. Disconnettere il sistema di alimentazione dell'acqua
5. Drenare tutta l'acqua nella macchina e nei tubi e conservarla in un posto asciutto

ATTENZIONE: Non spegnere l'approvvigionamento di acqua prima di aver spento la pompa, in quanto la pompa non va utilizzata senza acqua

ATTENZIONE: Non scollegare mai il tubo di alta pressione prima di aver depressurizzato.

Utilizzo dell'idropulitrice

- Per spruzzare acqua, premere il grilletto (17). Assicurarsi che si sta tenendo la lancia in modo sicuro in quanto ci sarà una piccola azione di contraccolpo in fase di avviamento
- Per disabilitare il grilletto, utilizzare il blocco grilletto (18), se necessario (Immagine M)
- Si consiglia di cominciare sempre con l'ugello girato in senso orario e con un getto a corta distanza per poi aumentare la distanza e la potenza fino a raggiungere quelle desiderate. Rilasciare il grilletto quando si modificano le impostazioni
- Utilizzare il regolatore di pressione (20) (Immagine M) per regolare la pressione
- L'idropulitrice proteggerà il motore dal surriscaldamento se utilizzata troppo a lungo e in maniera continua e bloccherà il grilletto. Dopo alcuni minuti di riposo, l'idropulitrice si riavvierà. Si raccomanda di non forzare l'idropulitrice e di aspettare che la pompa si raffreddi.
- Se non si è sicuri della durabilità della superficie che viene pulita ridurre la pressione e mantenersi a distanza adeguata
- Si raccomanda di tenere la lancia ad un angolo di 45° dalla superficie da pulire. Questo consentirà il massimo controllo e renderà la pulizia più efficace
- Praticare prima sempre un test di pulizia su un'area non visibile per verificare che il processo di pulizia e i detersivi non danneggino la superficie che si intende pulire, in particolare la malta tra i mattoni o lastre, che può essere facilmente rimossa con un getto d'acqua

Utilizzare il detergente

- Esistono diversi prodotti pensati appositamente per la pulizia di terrazze, veicoli, legno e plastica e altri tipi di detergente più generici adatti all'idropulitrice.
- Riempire il dispenser (11) con il detergente
- Regolare la pressione su un'impostazione bassa tramite il regolatore di pressione (20) (Immagine M), contrassegnato dai simboli "L" e "+"
- Aumentare la pressione tramite il regolatore di pressione e spruzzare il detergente

NB:

- Un modo tipico di impiego per l'utilizzo di detergente a schiuma sarebbe di pulire prima la superficie con acqua per rimuovere i depositi superficiali poi applicare il detergente a schiuma e infine, risciacquare con acqua pulita
- Il detergente a schiuma richiede pochi minuti per lavorare quando applicato. Per la massima pulizia, lasciare 2-5 minuti tra l'applicazione e la rimozione della schiuma con acqua pulita. Questa è l'occasione ideale per spazzolare/grattare la superficie dove la maggior parte dello sporco è stato raccolto. Non consentire alla schiuma di asciugarsi sulla superficie, per esempio, in una giornata calda, quando ci può essere tempo limitato tra erogazione della schiuma e risciacquo, a seconda della superficie
- Non utilizzare detersivi che non sono progettati per l'uso con idropultrici. Questi possono contenere sostanze chimiche che potrebbero danneggiare le guarnizioni
- Leggere a fondo le istruzioni fornite con il detergente, soprattutto se il detergente è concentrato. Diluire seguendo le raccomandazioni del produttore del detersivo garantisce una pulizia efficace senza spreco di detersivo. Dato che questa idropulitrice ha un rapporto variabile di detergente, impostare su un'impostazione di pressione media e regolare la pressione verso il basso fino a quando non si ottiene una miscela di detergente soddisfacente

Accessori

- Una gamma completa di accessori per questa idropulitrice, incluse spazzole, pezzi di ricambio e componenti altamente specifiche.

Manutenzione Pulizia

- Mantenere l'utensile sempre pulito
- Effettuare un drenaggio dell'acqua dalla pompa prima di conservare l'idropulitrice
- L'ugello (19) potrebbe sporcarsi o bloccarsi nel tempo e questo potrebbe influire sul suo funzionamento. Pulire utilizzando lo spillo di pulizia (24) (Immagine L). Il tubo da giardino può essere utilizzato per pulire le componenti della lancia. L'utilizzo combinato del getto d'acqua e dello spillo di pulizia permette una pulizia approfondita delle componenti. La frequenza delle operazioni di pulizia dipenderà dalla qualità dell'acqua utilizzata. Un'acqua troppo dura richiede rende la pulizia frequente.
- Controllare regolare il raccordo di ingresso del tubo flessibile (25) per assicurarsi del fatto che sia pulito. Questo filtro va controllato regolarmente per assicurarsi del fatto che sia libero da detriti e altri materiali. Rimuovere il raccordo di ingresso del tubo flessibile per accedere al filtro

Conservazione

- Dopo l'uso, riporre questo dispositivo in un luogo asciutto, con temperature non al di sotto di 0°

Smaltimento

Rispettare sempre le normative nazionali per lo smaltimento di apparecchi elettrici che non sono più funzionali e non sono atti alla riparazione.

- Non gettare utensili elettrici o apparecchiature elettriche ed elettroniche (RAEE) con i rifiuti domestici
- Contattare l'autorità locale di smaltimento rifiuti per informazioni sul modo corretto di smaltire gli apparecchi elettrici

Risoluzione dei problemi

Problema	Possibile causa	Possibile soluzione
Nessuna aspirazione del detergente	Blocco nel tubo della bottiglia del detergente	Pulire con acqua calda
Fumo	Sovraccarico o danni al motore	NON USARE. Contattare il fornitore o un centro servizi autorizzato Silverline.
L'idropultrice non si avvia	Pressurizzata	Premere il grilletto sulla lancia prima di iniziare
	La presa di rete non inserita completamente o l'interruttore presa di rete è spento	Controllare e correggere il problema
	Dispositivo corrente residua (RCD) ha operato o non è stato azzerato	Ripristina dispositivo a corrente residua (RCD)
	Il fusibile della spina è saltato	Sostituire il fusibile e contattare il rivenditore se salta immediatamente di nuovo
	Interruttore termico di sicurezza ha funzionato	Spegnere il motore e lasciare che si raffreddi l'idropultrice si prima di iniziare
Scarsa pressione d'acqua nebulizzata	Il filtro di ingresso dell'acqua è ostruito	Pulire il filtro
	Il raccordo del tubo dell'acqua non è a tenuta o permette l'ingresso dell'aria	Controllare il raccordo del tubo dell'acqua
	Valvole usurate o danneggiate	Contattare il fornitore o un centro servizi autorizzato Silverline
Il motore si ferma improvvisamente	Ugello intasato	Vedi "Manutenzione" per informazioni riguardo le procedure di pulizia
	Interruttore termico di sicurezza ha funzionato	Spegnere e lasciare raffreddare prima di riavviare
Perdita dalla pompa	Guarnizioni usurate	Rivolgersi al rivenditore autorizzato
Nessuna aspirazione del detergente	Blocco nel tubo della bottiglia del detergente	Pulire con acqua calda

Garanzia Silverline Tools

Questo prodotto Silverline è protetto da una garanzia di 3 anni

Per attivare la garanzia di 3 anni è necessario registrare il prodotto sul sito www.silverlinetools.com entro 30 giorni dalla data d'acquisto. La data d'inizio del periodo di garanzia corrisponde alla data d'acquisto riportata sullo scontrino di vendita.

Registrazione dell'acquisto

Accedere al sito: silverlinetools.com e selezionare il tasto registra per inserire:

- Dati personali
- Informazioni sul prodotto

Una volta che queste informazioni sono state inserite, il vostro certificato di garanzia sarà inviato per posta elettronica nel formato PDF. Si prega di stampare e conservare il Certificato insieme alla ricevuta d'acquisto.

Termini e condizioni

Il periodo di garanzia decorre dalla data dell'acquisto presso il rivenditore indicata sulla ricevuta d'acquisto.

SI PREGA DI CONSERVARE LA RICEVUTA D'ACQUISTO

Nel caso in cui il prodotto risultasse difettoso entro 30 giorni dalla data d'acquisto, sarà necessario restituirlo al punto vendita presso cui è stato acquistato, presentando la ricevuta e spiegando chiaramente la natura del difetto riscontrato. Il prodotto difettoso sarà sostituito o sarà rimborsato l'importo d'acquisto.

Nel caso in cui il prodotto risultasse difettoso dopo 30 giorni dalla data d'acquisto, sarà necessario inviare una richiesta di indennizzo in garanzia a:

Silverline Tools Service Centre
PO Box 2988
Yeovil
BA21 1WU, GB

Le richieste di indennizzo devono essere presentate durante il periodo della garanzia.

Affinché la richiesta sia approvata, è necessario presentare anche la ricevuta d'acquisto originale, indicando il luogo e la data dell'acquisto del prodotto e il proprio nome e indirizzo.

Sarà necessario inoltre fornire una descrizione dettagliata del guasto riscontrato.

Le richieste effettuate durante il periodo di garanzia saranno verificate da Silverline Tools per stabilire se il difetto del prodotto è dovuto a problemi di materiali o di lavorazione.

Le spese di spedizione non saranno rimborsate. Tutti i prodotti devono essere spediti puliti e in condizioni tali da garantire l'esecuzione della riparazione in modo sicuro. I prodotti devono essere imballati con cura per evitare danni o lesioni durante il trasporto. Silverline Tools si riserva il diritto di non accettare prodotti spediti in condizioni non idonee o non sicure.

Le riparazioni saranno eseguite da Silverline Tools o da un centro di riparazione autorizzato.

La riparazione o la sostituzione del prodotto non estende o rinnova il periodo di garanzia.

Nel caso in cui i determini che il prodotto e il difetto riscontrato sono coperti dalla garanzia, Silverline Tools provvederà a riparare l'utensile

gratuitamente (esclusi i costi di spedizione) o, a propria discrezione, a sostituirlo con un nuovo utensile.

Gli utensili o le parti trattenuti da Silverline Tools in cambio di un prodotto o componente sostitutivo diventano proprietà di Silverline Tools.

La riparazione o la sostituzione di un prodotto in garanzia estende i diritti del consumatore previsti per legge, senza modificarli.

Cosa copre la garanzia:

La riparazione del prodotto, nel caso in cui Silverline Tools determini che il problema sia dovuto a difetti dei materiali o difetti di lavorazione riscontrati durante il periodo della garanzia.

Nel caso in cui un componente non sia più disponibile o fuori produzione, Silverline Tools si riserva il diritto di sostituirlo con un componente adeguato.

Prodotti acquistati e utilizzati all'interno dell'Unione Europea.

Cosa non copre la garanzia:

La Garanzia Silverline Tools non copre le riparazioni se il difetto è stato causato da:

La normale usura dei componenti per via dell'utilizzo del prodotto come indicato nelle istruzioni d'uso (ad esempio, lame, spazzole, cinghie, lampadine, batterie, ecc.).

La sostituzione di accessori forniti a corredo, come ad esempio punte, lame, fogli abrasivi, dischi di taglio e altri componenti correlati.

I danni accidentali, causati dall'uso improprio, dall'abuso e dalla manipolazione, conservazione e cura inadeguata dell'utensile da parte del proprietario.

L'uso del prodotto per fini non domestici.

La modifica o alterazione del prodotto.

Difetti causati dall'uso di parti e accessori che non siano componenti originali Silverline Tools.

Installazione difettosa (fatto salvo quando l'installazione viene eseguita da Silverline Tools).

Riparazioni o alterazioni eseguite da terze parti che non siano la Silverline Tools o i centri di riparazione autorizzati da quest'ultima.

Richieste diversi dal diritto alla correzione degli errori con lo strumento denominato in queste condizioni di garanzia non sono coperti dalla garanzia.

Dichiarazione di conformità CE

Il sottoscritto: Sig. Darrell Morris

come autorizzato di: Silverline Tools

Dichiara che il prodotto:

Questa dichiarazione è stata emessa unicamente sotto la responsabilità del produttore.

L'obiettivo della dichiarazione è in conformità con la pertinente Normativa di Armonizzazione dell'Unione.

Codice di identificazione: 943676

Descrizione: Idropulitrice 2100 W

Si conforma alle seguenti direttive

- Direttiva macchine 2006/42/CE
- Direttiva compatibilità elettromagnetica 2014/30/UE
- Direttiva RoHS 2011/65/UE
- Direttiva sui Rumori Esterni 2000/14/CE
- EN 60335-1:2012+A11:2014
- EN 60335-2-79:2012
- EN 62233:2008
- EN 55014-1:2006+A1:2009+A2:2011
- EN 55014-2:2015
- EN 61000-3-2:2014
- EN 61000-3-3:2013

Metodo di valutazione della conformità applicata

2000/14/CE: Allegato III

Livello della pressione sonora, espresso in dB (A)

Misurato: 89,71

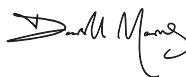
Garantito: 92

Organismo notificato: SGS

La documentazione tecnica è conservata da: Silverline Tools

Data: 21/04/2017

Firma:



Darrell Morris

Direttore generale

Nome e indirizzo del fabbricante:

Powerbox International Limited, N°. Società 06897059. Indirizzo registrato:

Powerbox, Boundary Way, Lufton Trading Estate, Yeovil, Somerset BA22 8HZ, Regno Unito.

Inleiding

Hartelijk dank voor de aanschaf van dit Silverline gereedschap. Deze instructies bevatten informatie die u nodig hebt voor een veilige en doeltreffende bediening van dit product. Dit product heeft unieke kenmerken. Zelfs als u bekend bent met gelijksortige producten dient u deze handleiding zorgvuldig door te lezen, zodat u in staat bent alle voordelen te benutten. Houd deze handleiding bij de hand en zorg ervoor dat alle gebruikers van dit gereedschap de handleiding hebben gelezen en volledig hebben begrepen.

Beschrijving symbolen

Op het gegevensplaatje van uw gereedschap kunnen zich symbolen bevinden. Deze vertegenwoordigen belangrijke productinformatie en gebruiksinstructies.



Draag gehoorbescherming
Draag een veiligheidsbril
Draag een stofmasker
Draag een veiligheidshelm



Draag handschoenen



Lees de handleiding



Opgepast!



Gevaarlijke elektrische spanning!



Klasse I constructie (aardgeleiding)



Volgens de geldende richtlijnen mag dit apparaat nooit aangesloten worden op het drinkwatermet zonder een terugstroombeveiliging



Voldoet aan de relevante wetgeving en veiligheidsnormen



Milieubescherming
Elektrische producten mogen niet worden afgevoerd met het normale huisvuil.
Indien de mogelijkheid bestaat, dient u het product te recyclen. Vraag uw gemeente of winkelier om advies betreffende recyclen

Technische afkortingen en symbolen

V	Volt
~, AC	Spanning
A, mA	Ampere, mili-ampere
n0	Onbelaste snelheid
°	Graden
∅	Diameter
Hz	Hertz
W, kW	Watt, kilowatt
/min or min ⁻¹	Operaties per minuut

Specificaties

Spanning	230-240 V-50 Hz
Vermogen	2100 W
Werkdruk (Bar)	110
Max druk (Bar)	165
Werkende waterstroom	6,0 L/min
Max waterstroom	7,2 L/min
Hogedrukslang lengte	5 m
Reinigingsmiddeltank capaciteit	1 L
Reinigingsmiddel verhouding	Variable
Ingang watertemperatuur	5°C-50°C
Max ingang waterdruk	4 bar
Beschermingsklasse	⊕
IP-code	IPX5
Stroomkabel lengte	5 m
Afmetingen (L x B x H)	330 x 360 x 890 mm
Gewicht	20 kg

Met het oog op onze aanhoudende productontwikkeling kunnen de specificaties van Silverline producten zonder voorafgaande kennisgeving worden gewijzigd.

Geluid en trilling

Volgens de machine richtlijn 2006/42/EC:

Geluidsdruk L_{WA} 76,7 dB(A)

Geluidsvermogen L_{WA} 89,71 dB(A)

Onzekeerheid K 2,5 dB

Trilling a_{hv} <2,5 m/s^2

Volgens de geluidsemisatie richtlijn 2000/14/EC:

Gegarandeerd geluidsvermogen L_{WA} 93 dB(A)

De geluidsintensiteit voor de bediener kan 85 dB(A) overschrijden en de gehoorbescherming is noodzakelijk.

WAARSCHUWING: Bij een geluidsintensiteit van 85 dB(A) of hoger is het dragen van gehoorbescherming en het limiteren van de blootstellingstijd vereist. Bij oncomfortabel hoge geluidsniveaus, zelfs met het dragen van gehoorbescherming, stopt u het gebruik van de machine onmiddellijk. Controleer de pasvorm en het geluiddempingsniveau van de bescherming.

WAARSCHUWING: Blootstelling aan trilling resulteert mogelijk in gevoelloosheid, tinteling en een verminderd gripvermogen. Langdurige blootstelling kan leiden tot chronische condities. Limiteer de blootstellingsduur en draag anti-vibratie handschoenen. Vibratie heeft een grotere invloed op handen met een temperatuur lager dan een normale, comfortabele temperatuur. Maak gebruik van de informatie in de specificaties voor het berekenen van de gebruiksduur en frequentie van de machine.

Geluids- en trillingsniveaus in de specificaties zijn bepaald in overeenstemming met internationale normen. De waarden gelden voor een normaal gebruik in normale werkomstandigheden. Een slecht onderhouden, onjuist samengestelde of onjuist gebruikte machine produceert hogere geluids- en trillingsniveaus. www.osha.europa.eu biedt informatie met betrekking tot geluids- en trillingsniveaus op de werkplek wat mogelijk nuttig is voor regelmatige gebruikers van machines.

Lees deze handleiding en alle etiketten op het gereedschap voor gebruik zorgvuldig na. Bewaar deze handleiding bij het product voor toekomstig gebruik. Zorg ervoor dat alle gebruikers de handleiding volledig hebben doorgenomen en begrepen.

Zelfs indien het gereedschap volgens de aanwijzingen wordt gebruikt, is het onmogelijk om alle risicofactoren te elimineren. Wees dus voorzichtig. Gebruik dit gereedschap niet als u twijfelt aan de juiste en veilige gebruikswijze.

Algemene veiligheid

WAARSCHUWING Lees alle **bediening-** en **veiligheidsvoorschriften**. *Het niet opvolgen van alle voorschriften die hieronder vermeld staan, kan resulteren in een elektrische schok, brand en/of ernstig letsel.*

Bewaar deze voorschriften voor toekomstig gebruik.

De term "apparaat" in alle hieronder vermelde waarschuwingen heeft betrekking op uw apparaat dat op de stroom is aangesloten (met een snoer) of met een accu wordt gevoed (snoerloos).

1) Veiligheid in de werkruimte

a) Hou de werkruimte schoon en zorg voor een goede verlichting. *Rommelige en donkere ruimtes leiden vaak tot ongelukken.*

b) Werk niet met apparaten in explosieve omgevingen, bijvoorbeeld in de aanwezigheid van ontvlambare vloeistoffen, gassen of stof. *Apparaat brengt vonken teweeg die stof of dampen kunnen doen ontbranden.*

c) Hou kinderen en omstanders uit de buurt wanneer u een apparaat bedient. *Door afleiding kunt u de controle over het gereedschap verliezen.*

2) Elektrische veiligheid

a) De stekkers van het apparaat moeten passen bij het stopcontact. Pas de stekker niet aan. Gebruik geen adapterstekkers bij geaard apparaat. *Het gebruik van ongeschikte stekkers en passende stopcontacten vermindert het risico op een elektrische schok.*

b) Vermijd lichamelijk contact met geaarde oppervlakken zoals pijpen, radiatoren, fornuizen en koelkasten. *Het risico op een elektrische schok neemt toe als uw lichaam geaard wordt.*

c) Beschadig het snoer niet. Gebruik het snoer nooit om het apparaat te dragen, te trekken of om de stekker uit het stopcontact te trekken. Hou het snoer uit de buurt van hitte, olie, scherpe randen of bewegende delen. *Een beschadigd of in de knoop geraakt snoeren verhoogt het risico op een elektrische schok toe.*

d) Wanneer u apparaten buiten gebruikt, maak dan gebruik van een verlengsnoer dat geschikt is voor gebruik buitenshuis. Gebruik een verlengsnoer dat geschikt is voor gebruik buitenshuis om het risico op een elektrische schok te verminderen.

e) Indien het onvermijdelijk is apparaten te gebruiken in een vochtige omgeving, gebruik dan een energiebron met een aardlek beveiliging (Residual Current Device). Het gebruik van een RCD vermindert het risico op een elektrische schok.

3) Persoonlijke veiligheid

a) Blijf alert en gebruik uw gezonde verstand wanneer u het apparaat bedient. Gebruik het apparaat niet wanneer u vermoeid bent of onder invloed van drugs, alcohol of medicijnen. *Onoplettendheid tijdens het bedienen van het apparaat kan leiden tot ernstig letsel.*

b) Maak gebruik van persoonlijke bescherming. Draag altijd een veiligheidsbril. Passende bescherming voor de omstandigheden, zoals een stofmasker, niet-slipende veiligheidsschoenen en helm of gehoorbescherming, vermindert het risico op persoonlijk letsel.

c) Zorg ervoor dat het apparaat niet per ongeluk wordt gestart. Controleer of de schakelaar in de 'uit' stand staat voordat u de stekker in het stopcontact steekt. Het dragen van het apparaat met uw vinger op de schakelaar of het aansluiten op de stroom van het apparaat met de schakelaar ingeschakeld kan tot ongelukken leiden.

d) Verwijder alle stel- of moersleutels voordat u het elektrische gereedschap inschakelt. Een moer- of stelsleutel die zich op een draaiend onderdeel van het elektrische gereedschap bevindt, kan leiden tot letsel.

e) Reik niet te ver. Blijf altijd stevig en in balans staan. *Zo houdt u meer controle over het elektrische gereedschap in onverwachte situaties.*

f) Laat vertrouwdheid door het veelvoudig gebruik van gereedschap u niet zelfgenoegzaam maken en negeer nooit de veiligheidsprincipes. *Een roekeloze handeling kan in een fractie van een seconde een ernstige verwonding veroorzaken.*

4) Gebruik en verzorging van het apparaat

a) Forceer het apparaat niet. Gebruik het apparaat dat geschikt is voor het werk dat u wilt uitvoeren. *Geschikt het apparaat werkt beter en veiliger op een passende snelheid.*

b) Gebruik het elektrische gereedschap niet als de schakelaar het apparaat niet in- en uitschakelt. *Een apparaat dat niet bedient kan worden met de schakelaar is gevaarlijk en moet gerepareerd worden.*

c) Haal de stekker uit het stopcontact voordat u instellingen aanpast, toebehoren verwisselt of het elektrische gereedschap opbergt. *Dergelijke voorzorgsmaatregelen verminderen het risico op het per ongeluk starten van het elektrische gereedschap.*

d) Berg Een apparaat dat niet in gebruik is op buiten bereik van kinderen en laat mensen die niet bekend zijn met het elektrische gereedschap of met deze instructies het elektrische gereedschap niet bedienen. *Een apparaat is gevaarlijk in de handen van onervaren gebruikers.*

e) Onderhoud uw apparaat. Controleer op foute uitlijning of het vastslaan van bewegende delen, gebroken onderdelen en elke andere afwijking die de werking van het elektrische gereedschap zou kunnen beïnvloeden. Indien het elektrische gereedschap beschadigd is, moet u het laten repareren voordat u het weer gebruikt. Veel ongelukken worden veroorzaakt door slecht onderhouden apparaten.

f) Gebruik het elektrische gereedschap, toebehoren en onderdelen, etc. volgens deze instructies en volgens bestemming voor het specifieke type apparaat, en houd daarbij rekening met de werkomstandigheden en het uit te voeren werk. *Gebruik van apparaten voor werkzaamheden die verschillen van die waarvoor het apparaat bestemd is, kan leiden tot gevaarlijke situaties.*

g) Laat vertrouwdheid door het veelvoudig gebruik van gereedschap u niet zelfgenoegzaam maken en negeer nooit de veiligheidsprincipes. *Een roekeloze handeling kan in een fractie van een seconde een ernstige verwonding veroorzaken.*

5) Onderhoud

a) Laat uw elektrische gereedschap onderhouden door een gekwalificeerde vakman en gebruik alleen identieke vervangstukken. *Zo bent u er zeker van dat de veiligheid van het elektrische gereedschap gewaarborgd blijft.*

Veiligheid hogedrukreiniger

• Gebruik dit apparaat niet in de regen. Houdt alle elektrische aansluitingen droog. Zorg ervoor dat de machine niet nat wordt en dat water de ventilatiegaten niet binnendringt.

• Sluit te allen tijde een terugstroombeveiliging aan tussen de hogedrukreiniger en de kraan om de verontreiniging van uw watertoevoer te voorkomen

• Gebruik deze machine niet bij temperaturen onder 0°C

• De hogedrukreiniger hoort te allen tijde op een constante toevoer van schoon water aangesloten te zijn. Het drooglopen van de hogedrukreiniger, of het gebruik van terugreinigt water, kan permanente schade aan de pomp veroorzaken

• Sluit de hogedrukspuit NOOIT op een heet watertoevoer aan, dit veroorzaakt storing in de pomp en zou permanente schade tot gevolg kunnen hebben

• Zorg ervoor dat de druk van de watertoevoer naar de hogedrukspuit constant is. Wanneer de watertoevoer "gedeelde" wordt met een ander apparaat (bijv. een wasmachine), moet u ervoor zorgen dat het andere apparaat uitgeschakeld is

• De hogedrukspuit moet altijd in een rechtopstaande positie worden gebruikt

• Hou er bij de bediening van de hogedrukreiniger rekening mee dat de lans een terugslag heeft. Hou de lans stevig vast

• Richt de waterstraal nooit rechtstreeks op mensen of dieren. De waterstraal is extreem krachtig en kan ernstig letsel veroorzaken. Richt de waterstraal niet op de behuizing van de pomp of op andere elektrische apparaten

• Hanteer de lans voorzichtig en vermijd contact tussen de spuitmond en de grond. Zorg ervoor dat de slangen niet verdraaid, verkreukeld of verwrongen raken

• Reinig geen materialen onder hoge druk die mogelijk asbest bevatten

• Wanneer u schoonmaakmiddel met een hogedrukreiniger gebruikt om olie en vet van oppervlakken te verwijderen, wees verantwoordelijk voor vervuild water dat u produceert. Denk altijd aan het milieu en het risico van het vervuilen van rivieren en andere waterbronnen, plus de mogelijkheid van vuil ophopingen in de grond. Probeer zo min mogelijk schoonmaakmiddel te gebruiken, ze zijn niet altijd nodig. Neem contact op met uw plaatselijke milieu instantie voor informatie over hoe legaal en verantwoord om te gaan met zulk afvoer water.

Productbeschrijving

1.	Hogedrukslang haspel
2.	Haspel handvat
3.	Hogedrukslangkoppeling
4.	Stroomsnoerhaak
5.	Aan-/uitschakelaar
6.	Waterinlaatkoppeling
7.	Mondstuk steun
8.	Lans beugel
9.	Voor handvat
10.	Uitschuifbaar achter handvat
11.	Reinigingsmiddelfles
12.	Wielen
13.	Stroomsnoer
14.	Lanshandvat bajonetcontact
15.	Lans hogedrukslangkoppeling
16.	Lans handvat
17.	Trekker hendel
18.	Trekker hendel vergrendeling
19.	Mondstuk
20.	Drukregelaar
21.	Mondstuk bajonetkoppeling
22.	Lans verlengstuk bajonetcontact
23.	Lans verlengstuk bajonetkoppeling
24.	Schoonmaakpin
25.	Waterslang aansluiting
26.	Achterste handvat verlosknop

Beoogd gebruik

Hogedrukreiniger voor algemeen, lichte tot gemiddelde schoonmaaktaken op voertuigen, gebouwen en andere geschikte oppervlakken, met een stroom koud water onder druk, met of zonder schoonmaakmiddel.

Het uitpakken van uw gereedschap

- Pak uw toestel / gereedschap uit. Inspecteer het en zorg dat u met alle kenmerken en functies vertrouwd raakt.
- Controleer of alle onderdelen aanwezig zijn en in goede staat verkeren. Als er onderdelen ontbreken of beschadigd zijn, zorg dan dat deze vervangen worden voor u dit toestel / gereedschap gebruikt

Voor gebruik

- Controleer altijd dat alle onderdelen juist gemonteerd zijn en dat slangen vrij zijn van kinken en obstructie
- Draag te allen tijde de juiste veiligheidsuitrusting. Bij het gebruik van de hogedrukreiniger is het dragen van een veiligheidsbril en waterdichte kleding aangeraden
- Bij de aansluiting op een stroombron met een minimale uitschakelstroom van 30 mA en een vertraging van 30 ms, gebruikt u een aardlekschakelaar
- Zorg ervoor dat stroomaansluitpunten uit de buurt van het spraybereik van de hogedrukreiniger en oppervlaktewater gehouden worden

- Gebruik alleen een verlengsnoer, geschikt voor buitengebruik en in staat de stroom te dragen. De verlengsnoer hoort bestand te zijn tegen wateringang met waterdichte verbindingen bij de aansluiting op de stroomsnoer van de machine
- De machine en gebruikte verlengsnoeren horen geaard te zijn
- Gebruik de hogedrukreiniger te allen tijde rechtopstaand op een vlakke ondergrond

Montage

- Sluit de hogedrukreiniger niet op de water- en stroomtoevoer aan voordat deze volledig gemonteerd is en klaar is voor gebruik
- Verwijder al het verpakkingsmateriaal van de machine

Haken en houders

- Glijd de lans beugel (8) naar beneden op de zij klem (Fig. I)
- Glijd de mondstuk steun (7) terug op de klem (Fig. II) en maak de aangeleverde schroef vast
- Glijd de stroomsnoer haak (4) naar beneden op de zij klem (Fig. III)

Lans

- Assembleer de lans door het mondstuk (19) aan het lans verlengstuk te bevestigen en deze aan het lans handvat (afb. A)
- Om dit te doen, zet de mondstuk bajonetkoppeling (21) in het lans verlengstuk bajonetcontact (22) en duw en draai om dit op zijn plaats te vergrendelen (afb. B)
- Zet de lans verlengstuk bajonetkoppeling (23) in het lans handvat bajonetcontact (14) en duw en draai om dit op zijn plaats te vergrendelen (afb. D)

Let op: Wanneer dit niet in gebruik is kan de lans in de lans beugel (8) rusten met het mondstuk (19) in de mondstuksteun (7) (afb. D).

Hogedrukslang

1. Trek een stuk van de hogedrukslang haspel (1) voorzichtig er uit (afb. E)
2. Verbind het uiteinde van de slang aan de lans hogedrukslangkoppeling (15) (afb. F) en schroef de moer stevig vast

WAARSCHUWING: Als de hogedrukslang beschadigd is kan het barsten en letsel veroorzaken. Een beschadigde slang moet vervangen worden, niet gerepareerd. Inspecteer deze regelmatig en voorkom dat de slang in contact komt met scherpe objecten of ruwe oppervlakken. Rol de slang na gebruik altijd terug met het haspel handvat (2) (afb. G dan H).

Het aansluiten op de watertoevoer

Waarschuwing: Wanneer de machine op een huishoudelijke kraan wordt aangesloten is het belangrijk een terugstroombeveiliging op de slang aan te sluiten. De watertoevoer kan zo niet verontreinigd worden door de hogedrukreiniger.

1. Verwijder de plastic dop van de waterinlaatkoppeling (6) (fig. IV) en controleer dat de filter aan de binnenkant vrij van rommel is, maak deze schoon waar nodig
2. Pas de waterslangkoppeling (25) (fig. V) en maak met de hand vast
3. Verbind een slang van uw water bron aan de waterslangkoppeling

Opmerkingen:

- In de specificaties vindt u de juiste ingang waterdruk, de maximale waterdruk mag niet overschreden worden. Is uw waterdruk te hoog, maak dan gebruik van een drukregelaar
- Wanneer u niet weet wat de waterdruk is of wanneer deze niet gemeten kan worden, houd u de druk laag om schade aan de machine te voorkomen. Probeer de druk tussen de hoogste en laagste druk te stellen. Tevens zijn waterdrukmeters verkrijgbaar en aan te sluiten op uw kraan. Zo kan de druk nauwkeuriger gesteld worden.
- Sluit de hogedrukreiniger niet op een hete watertoevoer aan. De pomp koelt zo niet af wat de afsluiting/zegel kan beschadigen
- Bij het gebruik van de hogedrukreiniger is het behouden van een juiste wateraansluiting erg belangrijk, waar de pomp stuk gaat wanneer de motor zonder watertoevoer draait. Controleer de aansluitingen voordat u de machine aanzet.

Het verbinden aan andere waterbronnen

NB: De pomp in deze hogedrukreiniger heeft een zelf-aanzuigende functie dat het gebruik van andere waterbronnen mogelijk maakt, normaal gesproken een waterfont of ander vat met opgevangen regenwater of soortgelijk.

- Zorg dat de waterbron schoon en gefilterd is voordat het in de hogedrukreiniger komt. Zorg dat er geen sediment is
- Voor waterbronnen met een uitlaat aan de onderkant zal zaarte kracht voor wat druk zorgen om de hogedrukreiniger te helpen

De slang naar de waterbron mag niet langer dan 3 m zijn en de diameter mag niet minder dan 19 mm zijn

Het vullen van de schoonmaakmiddel fles

- Haal de dop van de schoonmaakmiddel fles (11) af en vul met een schoonmaakmiddel geschikt voor een hogedrukreiniger (afb. I)
- De hogedrukreiniger is ontworpen om schoonmaakmiddel op een lage instelling te spuiten en heldere vloeistof op de hoogste drukstand
- De schoonmaakmiddel verhouding is verschillend afhankelijk van de druk wijziging instelling

Aanpassen van het uitschuifbare achterste handvat

- Druk de achterste handvat verlosknop (26) in en verhoog of verlaag het uitschuifbare handvat (10) (afb. K)

Gebruiksaanwijzingen

Inschakelen

- Draai de kraan van de watertoevoer open voordat u de machine inschakelt, om de pomp tegen beschadiging te beschermen
- Klap de trekker hendel vergrendeling (18) uit om de trekker hendel (17) te vergrendelen
- Sluit de machine op de stroombron aan en zet de aan-/uitschakelaar (5) in de aan-stand. (Fig. VI) De pomp start onmiddellijk met het opbouwen van de druk. Telkens wanneer de hendel wordt ingeknepen herstelt de pomp de waterdruk. Laat dit niet langer dan 3 minuten lopen. Gebruik de machine binnen 2 minuten na het inschakelen.
- Het is belangrijk dat alle lucht uit de slangen en lans ontvlucht is voordat de machine gebruikt wordt. Klik de hendel vergrendeling omlaag en houdt de hendel ingeknepen tot water in een regelmatige stroom uit het mondstuk vloeit. Bij het eerste gebruik van de machine kan dit mogelijk een aantal minuten duren

Uitschakelen

- Wanneer het werk voltooid is volgt u de volgende stappen op:
 1. Schakel de machine uit en haal de stekker uit het stopcontact
 2. Sluit de watertoevoer af
 3. Knijp de hendel in (17) om de resterende druk uit de machine te laten lopen
 4. Haal de machine van de watertoevoer
 5. Laat het resterende water uit de machine en de slangen lopen en berg de machine op een droge plek op

Waarschuwing: De watertoevoer mag niet afgesloten worden voordat de pomp uitgeschakeld wordt.

Waarschuwing: De machine mag niet ontkoppeld worden voordat de druk afgevoerd wordt

Het gebruik van de hogedrukreiniger

- Om water te sproeien knijpt u de hendel (17) in. Houdt de lans stevig vast, de lans heeft een kleine terugslag wanneer de hendel ingeknepen wordt
- Om de trekker hendel te vergrendelen klipt u de trekker hendel vergrendeling (18) (afb. M)
- Het mondstuk (19) kan versteld worden tussen een breed spraypatroon (60° spray hoek) en een sterke smalle straal (0°).
- Het is aangeraden te starten met het mondstuk naar rechts gedraaid (breed patroon) en het mondstuk te draaien tot het gewenste patroon is bereikt. Bij het verstellen van de instellingen laat u de hendel los
- Gebruik de drukversteller (20) (afb. M) om de uitgaande druk aan te passen. Laat de trekker hendel tijdens het verstellen los
- De hogedrukreiniger beschermt de motor tegen oververhitten als u deze te lang gebruikt en blokkeert de trekker hendel. Deze zal opnieuw opstarten na een paar minuten af te koelen.
- Bent u onzeker over de stevigheid van het oppervlak, vermijdt dan het gebruik van de sterke straal en begin op een grote afstand van het oppervlak
- Het is aanbevolen de lans op een 45° hoek van het oppervlak te houden. Dit geeft een optimale controle en zorgt voor de meest effectieve schoonmaak
- Begin op een onopvallend gedeelte om te zien of de machine het oppervlak beschadigt. Ben vooral voorzichtig bij het schoonmaken van stenen muren. De cement laag tussen stenen kan gemakkelijk door de straal beschadigt worden

Gebruik van schoonmaakmiddel

- Veel producten zijn beschikbaar die geschikt zijn voor hogedrukreinigers, inclusief patio schoonmaakmachines, glasreinigers, auto shampoo's, hout en plastic reinigers en algemene hoge druk reiniger middelen.
- Vul de schoonmaakmiddelfles (11) met het benodigde middel
- Spuit het middel op een lage instelling door de drukregelaar (20) te wijzigen (afb. M), deze is gemarkeerd met '-' en '+'
- Verhoog de druk met de drukregelaar en spuit de zeep weg met een schone spuit

Opmerkingen:

- Gebruikspatroon met reinigingsmiddel: verwijder licht vuil met alleen water, breng het schoonmaakmiddel aan en spoel met schoon water
- Voor een optimale schoonmaak laat u het schoonmaakmiddel een aantal minuten inwerken voordat u het oppervlak afspoelt - zo is het oppervlak tevens schoon te schrobben. Laat het schoonmaakmiddel niet op het oppervlak opdrogen
- Gebruik geen reinigingsmiddelen, ongeschikt voor gebruik met hogedrukreinigers. Deze bevatten chemicaliën die de dichtingen mogelijk beschadigen
- Lees de instructies verschaft bij het reinigingsmiddel aandachtig door. Het opvolgen van de fabrikant's aanbevelingen resulteert in een effectieve schoonmaak zonder het gebruik van overmatig reinigingsmiddel

Accessoires

- Verschillende accessoires, waaronder borstels, reserveonderdelen en onderdelen met hogere specificaties, zijn verkrijgbaar via uw Silverline verkoper.

Onderhoud

Schoonmaak

- Houd uw machine te allen tijde schoon
- Laat al het water uit de machine lopen voor dat deze wordt opgeborgen
- Het mondstuk kan na verloop van tijd verstopt raken wat de werking beïnvloed. Maak het mondstuk met behulp van de schoonmaakpin (24) schoon. Ook kan het mondstuk met een tuinslang schoongemaakt worden. Een combinatie van de 2 schoonmaakmogelijkheden resulteert in een grondig schoon mondstuk. De schoonmaakfrequentie hangt af van de waterkwaliteit. Na gebruik kan de pin op de haak opgeborgen worden
- Controleer regelmatig of de waterinlaatkoppeling (25) filter schoon is. Deze filter moet regelmatig gecontroleerd worden.

Opberging

- Berg de machine op een droge plek met een temperatuur boven het vriespunt op

Verwijdering

Bij de verwijdering van elektrische machines neemt u de nationale voorschriften in acht.

- Elektrische en elektronische apparaten mogen niet met uw huishoudelijk afval worden weggegooid
- Neem contact op met uw gemeente voor informatie betreffende de verwijdering van apparaten

Probleemopsporing

Probleem	Mogelijke oorzaak	Oplossing
Geen reinigingsmiddel opname	Lans niet in lage drukstand	Pas de instelling aan
Rook	Overbelaste of beschadigde motor	Gebruik niet. Neem onmiddellijk contact op met uw Silverline service center
De machine start niet	Overmatige druk in de machine	Knijp de hendel in
	Stekker is niet juist verbonden met het stopcontact	Controleer en corrigeer
	Aardlekschakelaar is gesprongen en niet gereset	Reset de aardlekschakelaar
	Plugzekering is gesprongen	Vervang de zekering en neem contact op met de verkoper wanneer de zekering gelijk weer springt
	Ingesprongen thermische uitschakelschakelaar	Schakel uit en laat de motor afkoelen
Matige waterspraydruk	Inlaatfilter is verstopt	Maak de filter schoon
	Slangaansluiting lekt	Controleer de aansluiting
	Ventielen en dichtingen zijn versleten of beschadigt	Neem onmiddellijk contact op met uw Silverline service center
Wisselende waterdruk	Pomp zuigt lucht in	Controleer de waterslangaansluitingen
	Verstopt mondstuk	Zie 'Onderhoud' voor schoonmaakprocedure
De motor stopt plotseling	Thermische uitschakelschakelaar springt in	Schakel de machine uit en laat de motor afkoelen
Water lekt uit de pomp	Dichtingen zijn versleten	Neem onmiddellijk contact op met uw Silverline service center

Silverline Tools Garantie

Dit Silverline product komt met 3 jaar garantie.

Registreer dit product binnen 30 dagen van aankoop op www.silverlinetools.com om in aanmerking te komen voor 3 jaar garantie. De garantieperiode begint op de datum van aankoop op het ontvangstbewijs.

Het gekochte product registreren

Ga naar: silverlinetools.com, kies Registration (registratie) en voer het volgende in:

- Uw persoonlijke gegevens
- De gegevens van het product en de aankoop

U ontvangt het garantiebewijs in PDF-vorm. Druk het af en bewaar het bij het product.

Voorwaarden

De garantieperiode gaat in vanaf de datum van aankoop op het ontvangstbewijs.

Bewaar het ontvangstbewijs op een veilige plaats

Als dit product binnen 30 dagen van de aankoopdatum een fout heeft, breng het dan naar de winkelier waar u het heeft gekocht, met uw ontvangstbewijs, en met vermelding van de details van de storing. U kunt om een nieuwe vragen of om uw geld terug.

Als dit product na de periode van 30 dagen een fout heeft, stuur het dan naar:

Silverline Tools Service Centre
PO Box 2988
Yeovil
BA21 1WU, GB

Alle claims moeten binnen de garantieperiode worden ingediend.

U moet het originele ontvangstbewijs geven met de datum van aankoop, uw naam, adres en plaats van aankoop voordat er aan kan worden gewerkt.

U moet nauwkeurige gegevens verschaffen van de fout die verholpen moet worden.

Claims die binnen de garantieperiode worden ingediend, worden door Silverline Tools nagelopen om te kijken of het probleem een kwestie is van de materialen of de fabricage van het product.

De verzendkosten worden niet vergoed. De geretourneerde items moeten voor de reparatie in een redelijk schone en veilige staat verkeren en moeten zorgvuldig worden verpakt om schade en letsel tijdens het vervoer te voorkomen. Ongeschikte en onveilige leveringen kunnen worden afgewezen.

Al het werk wordt uitgevoerd door Silverline Tools of een officiële reparatiedienst.

De garantieperiode wordt niet door de reparatie of vervanging van het product verlengd.

Defecten waarvan wij beschouwen dat ze onder de garantie vallen, worden verholpen door middel van gratis reparatie van het gereedschap (exclusief verzendingskosten) of door vervanging door een gereedschap in perfecte staat van werking.

De ingehouden gereedschappen of onderdelen die zijn vervangen, worden het eigendom van Silverline Tools.

De reparatie of vervanging van het product onder garantie zijn voordelen die bijkomstig zijn aan uw wettelijke rechten als consument, en hebben daar geen invloed op.

Wat is gedekt:

De reparatie van het product, mits naar tevredenheid van Silverline Tools kan worden vastgesteld dat de gebreken het gevolg zijn van defecte materialen of fabrieksfouten binnen de garantieperiode.

Onderdelen die niet meer verkrijgbaar zijn en die niet meer worden vervaardigd worden door Silverline Tools vervangen door een functionele vervanging.

Gebruik van dit product in de EU.

Wat niet is gedekt:

Silverline Tools geeft geen garantie op reparaties als gevolg van:

Normale slijtage veroorzaakt door gebruik in overeenstemming met de bedieningsinstructies zoals zaagbladen, borstels, riemen, gloeilampen, batterijen enz.

De vervanging van geleverde accessoires zoals boortjes, zaagbladen, schuurvellen, snijschijven en aanverwante producten.

Accidentele schade, storingen veroorzaakt door nalatigheid in gebruik of verzorging, misbruik, verwaarlozing, onvoorzichtige bediening en hantering van het product.

Gebruik van het product voor andere doeleinden dan normaal huishoudelijk gebruik.

Alle soorten wijzigingen en modificaties van het product.

Gebruik van andere onderdelen en accessoires dan de originele onderdelen van Silverline Tools.

Defecte installatie (behalve wanneer geïnstalleerd door Silverline Tools).

Reparaties of wijzigingen die zijn uitgevoerd door anderen dan Silverline Tools of diens officiële reparatiediensten.

Behalve claims voor het recht op correctie van fouten van het gereedschap volgens de bepalingen van deze garantie zijn geen andere claims gedekt.

EG-verklaring van overeenstemming

De ondertekende: Mr. Darrell Morris

Gemachtigd door: Silverline Tools

Verklaart dat

Deze verklaring wordt verstrekt onder de volledige verantwoordelijkheid van de fabrikant.

Het hierboven beschreven voorwerp is conform de desbetreffende communautaire harmonisatiewetgeving

Identificatienummer: 943676

Beschrijving: 2100 W hogedrukreiniger

Voldoet aan de volgende richtlijnen:

- Machinerichtlijn 2006/42/EG
- Elektromagnetische verenigbaarheid 2014/30/EU
- RoHS-richtlijn 2011/65/EU
- Richtlijn 2000/14/EG Geluid door mobiele werktuigen
- EN 60335-1:2012+A11:2014
- EN 60335-2-79:2012
- EN 62233:2008
- EN 55014-1:2006+A1:2009+A2:2011
- EN 55014-2:2015
- EN 61000-3-2:2014
- EN 61000-3-3:2013

Toegepaste evaluatie methode

2000/14/EG: Annex III

Geluidsniveau dB(A)

Gemeten: 89,71

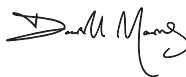
Gezanderde: 92

Keuringsinstantie: SGS

De technische documentatie wordt bijgehouden door: Silverline Tools

Datum: 21-04-2017

Handtekening:



Darrell Morris

Algemeen directeur

Naam en adres van fabrikant:

Powerbox International Limited, handelsregister nummer 06897059. Geregistreerd adres: Powerbox, Boundary Way, Lufton Trading Estate, Yeovil, Somerset BA22 8HZ, Verenigd Koninkrijk

Wprowadzenie

Dziewujemy za zakup narzędzia marki Silverline. Zalecamy zapoznać się z niniejszymi instrukcjami: zawierają one informacje niezbędne dla bezpiecznej i wydajnej obsługi produktu. Produkt posiada szereg unikalnych funkcji, dlatego też, nawet, jeśli jesteś zaznajomiony z podobnymi produktami, przeczytanie instrukcji obsługi umożliwi Ci pełne wykorzystanie tego wyjątkowego projektu. Przechowuj niniejsze instrukcje w zasięgu ręki i upewnij się, że użytkownicy narzędzia przeczytali i w pełni zrozumieli wszystkie zalecenia.

Opis symboli

Tabela znamionowa zawiera symbole dotyczące narzędzia. Stanowią one istotne informacje o produkcie lub instrukcje dotyczące jego stosowania.



Należy nosić środki ochrony słuchu
Należy nosić okulary ochronne
Należy nosić środki ochrony dróg oddechowych
Należy używać kasku ochronnego



Należy nosić rękawice ochronne



Należy w całości przeczytać instrukcję obsługi



Uwaga!



Ryzyko porażenia prądem!



Konstrukcja klasy I (uziemiennie ochronne)



Zgodnie z obowiązującymi przepisami, urządzenie nie może być używane do dostarczania wody pitnej bez separatora systemu!



Urządzenie zgodne z odpowiednimi przepisami i normami bezpieczeństwa



Ochrona środowiska

Nie należy wyrzucać zużytych produktów elektrycznych wraz z odpadami komunalnymi. Jeśli jest to możliwe, należy przekazać produkt do punktu recyklingu. W celu uzyskania wskazówek dotyczących recyklingu należy skontaktować się z władzami lokalnymi lub sprzedawcą.

Kluczowe skróty techniczne

V	Wolt
~, AC	Prąd przemienny
A, mA	Amper, milli-Amp
n0	Prędkość bez obciążenia
°	Stopnie
Ø	Średnica
Hz	Herc
W, kW	Wat, kilowat
/min or min ⁻¹	Obroty lub ruch postępowo zwrotny na minutę

Dane techniczne

Napięcie elektryczne	230-240 V~50 Hz
Moc	2100 W
Ciśnienie pracy (bar)	110
Maks. ciśnienie (bar)	165
Natężenie przepływu	6 l/min
Maks. natężenie przepływu	7,2 l/min
Długość węża wysokociśnieniowego	5 m
Pojemność butli na detergent	1 l
Wskaźnik detergentu	Różny
Zakres temperatury wlotu	5-50°C
Ciśnienie wlotu temperatury (Maks.)	4bar
Klasa ochrony	Ⓢ
Stopień ochrony	IPX5
Długość kabla zasilającego	5m
Wymiary (wys. x dł. x szer.)	330 x 360 x 890 mm
Waga	20 kg

W wyniku nieprzerwanego procesu rozwojowego produktów, dane techniczne poszczególnych produktów Silverline mogą ulec zmianie bez uprzedniego powiadomienia.

Parametry emisji dźwięku i wibracji

Zgodnie z Dyrektywą Maszynową 2006/42/EC:

Poziom ciśnienia akustycznego L_{pA}	76,7 dB(A)
Poziom mocy akustycznej L_{WA}	89,71 dB(A)
Niepewność pomiaru K	2,5 dB
Wartość emisji wibracji a_h	<2,5 m/s ²

Zgodnie z Dyrektywą Hałasową 2000/14/EC:

Gwarantowany poziom moc akustyczna L_{WA}	93 dB(A)
---	----------

Poziom natężenia dźwięku dla operatora może przekroczyć 85 dB(A) dlatego konieczne jest zastosowanie środków ochrony słuchu.

OSTRZEŻENIE: Jeżeli poziom hałasu przekracza 85dB(A) należy zawsze stosować środki ochrony słuchu oraz, jeśli to konieczne, ograniczyć czas narażenia słuchu na nadmierny hałas. Jeśli poziom hałasu powoduje dyskomfort, nawet w przypadku zastosowania środków ochrony słuchu, niezwłocznie przestań korzystać z narzędzia i sprawdź czy środek ochrony słuchu jest prawidłowo zamontowany i zapewnia odpowiedni poziom tłumienia dźwięku w odniesieniu do poziomu hałasu wytwarzanego przez narzędzie.

OSTRZEŻENIE: Narażenie użytkownika na wibracje narzędzia może spowodować utratę zmysłu dotyku, drętwienie, mrowienie i zmniejszenie zdolności uchwytu. Długotrwałe narażenie może prowadzić do stanu przewlekłego. Jeśli jest to konieczne, ogranicz czas narażenia na wibracje i stosuj rękawice antywibracyjne. Nie korzystaj z urządzenia w trybie ręcznym w temperaturze niższej niż normalna komfortowa temperatura otoczenia, ponieważ zwiększy to efekt wywołany przez wibracje. Skorzystaj z wartości liczbowych podanych w specyfikacji dotyczącej wibracji, aby obliczyć czas trwania i częstotliwość pracy z narzędziami.

Poziom hałasu i drgań w specyfikacji określone są zgodnie z międzynarodowymi normami. Wartości te reprezentują korzystanie z urządzenia w normalnych warunkach roboczych. Niedbala konserwacja, nieprawidłowy montaż lub nieprawidłowe użytkowanie urządzenia mogą spowodować wzrost poziomu hałasu oraz wibracji. www.osha.europa.eu dostarcza informacji na temat poziomów hałasu i wibracji w środowisku pracy, które mogą być przydatne dla użytkowników prywatnych, korzystających z urządzenia przez długi czas.

Należy uważnie przeczytać poniższą instrukcję oraz dołączone etykiety ze zrozumieniem przed zastosowaniem narzędzia. Przechowaj tę instrukcję wraz z produktem do wykorzystania w przyszłości. Ponadto upewnij się, że wszystkie osoby, które korzystają z tego narzędzia w pełni zapoznają się z tą instrukcją.

Pomimo zastosowania się do następujących instrukcji nie jest możliwe wyeliminowanie wszystkich pozostałych czynników ryzyka. Zawsze należy zachować ostrożność. Jeśli nie jesteś pewny, co do prawidłowego i bezpiecznego korzystania z danego narzędzia, nie należy go używać.

Ogólne instrukcje dotyczące bezpieczeństwa użytkownika urządzenia

OSTRZEŻENIE! Należy przeczytać wszystkie instrukcje przed rozpoczęciem pracy oraz zachować ją na przyszłość. Niezastosowanie się do podanych instrukcji może grozić porażeniem, pożarem i/lub poważnymi obrażeniami.

Zachowaj wszystkie instrukcje do wykorzystania w przyszłości.

Termin „elektronarzędzie” odnosi się do urządzenia zasilanego siecią (przewodowego) lub urządzenia zasilanego za pomocą baterii (bezprowodowego).

1) Bezpieczeństwo obszaru pracy

a) Zadbaj o prawidłową higienę i prawidłowe oświetlenie obszaru pracy. Zaniedbanie lub brak wystarczającego oświetlenia obszaru pracy może doprowadzić do wypadków.

b) Nie należy używać elektronarzędzi w przestrzeniach zagrożonych wybuchem, np. w obecności łatwopalnych cieczy, gazów lub pyłów. Urządzenia elektryczne wytwarzają iskry, które mogą podpalić pył lub opary.

c) Nie dopuszczaj dzieci ani innych osób do obszaru pracy elektronarzędzi. Nieuwaga może spowodować utratę kontroli.

2) Bezpieczeństwo elektryczne

a) Wtyczka elektronarzędzia musi pasować do gniazda zasilania. Nie wolno modyfikować wtyczki w żaden sposób. W przypadku elektronarzędzi z uzziemieniem nie należy stosować przejściówek. Oryginalne wtyczki i pasujące gniazda zmniejszają ryzyko porażenia prądem.

b) Unikaj dotyku uziemionych powierzchni, takich jak rury, grzejniki, piece i łodówki. Uziemienie ciała powoduje zwiększenie ryzyka porażenia prądem.

c) Nie wystawiaj elektronarzędzi na działanie deszczu lub wilgoci. Przedostanie się wody do urządzenia zwiększa ryzyko porażenia prądem.

d) Nie należy nadywierać kabla. Nigdy nie używaj go do przenoszenia, przeciągania lub odłączania elektronarzędzia. Trzymaj przewód z dala od źródeł ciepła, oleju, ostych krawędzi lub ruchomych części urządzenia. Uszkodzone lub poplątane kable zwiększają ryzyko porażenia prądem.

e) W przypadku korzystania z urządzenia na wolnym powietrzu używaj przedłużacza przystosowanego do użycia na zewnątrz. Korzystanie z przedłużacza przystosowanego do użycia na zewnątrz zmniejsza ryzyko porażenia prądem.

f) W przypadku korzystania z elektronarzędzia w miejscu o dużym natężeniu wilgoci należy używać gniazda zasilania wyposażonego w wyłącznik różnicowoprądowy (RCD). Korzystanie z wyłącznika różnicowoprądowego zmniejsza ryzyko porażenia prądem.

3) Bezpieczeństwo osobiste

a) Podczas korzystania z elektronarzędzi bądź czujny, uważaj, co robisz i zachowaj zdrowy rozsądek. Nie używaj ich, gdy jesteś zmęczony albo pod wpływem narkotyków, alkoholu lub leków. Chwila nieuwagi podczas obsługi urządzenia może spowodować poważne obrażenia ciała.

b) Korzystaj ze środków ochrony osobistej. Zawsze stosuj środki ochrony oczu. Wyposażenie ochronne, takie jak maska przeciwpyłowa, obuwie robocze antypoślizgowe na szorstkiej podszewce, kask ochronny lub nauszki ochronne używane w odpowiednich warunkach, zmniejsza ryzyko obrażeń.

c) Zapobiegaj przypadkowemu włączeniu urządzenia. Przed podłączeniem do źródła zasilania i / lub akumulatora, podnoszeniem lub przenoszeniem narzędzia, upewnij się, że przełącznik zasilania znajduje się w pozycji wyłączonej. Przeniesienie urządzenia z palcem umieszczonym na wyłączniku zasilania lub podłączenie elektronarzędzi przy włączonym przełączniku zasilania stwarza ryzyko wypadku.

d) Przed włączeniem elektronarzędzia usuń z niego wszelkie klucze regulacyjne. Narzędzie lub klucz pozostawiony w obracającej się części elektronarzędzia może spowodować obrażenia ciała.

e) Nie wychylaj się. W każdej chwili zachowaj odpowiednią pozycję i równowagę. Umożliwia to lepszą kontrolę nad elektronarzędziem w nieoczekiwanych sytuacjach.

f) Noś odpowiednią odzież. Nie zakładaj do pracy z elektronarzędziem luźnej odzieży ani biżuterii. Trzymaj włosy, odzież i rękawice z dala od ruchomych części urządzenia. Luźne ubranie, biżuteria lub długie włosy mogą zostać wciągnięte przez ruchome części urządzenia.

g) Jeśli do zestawu załączone są urządzenia do podłączenia mechanizmów odsysania i zbierania pyłu, sprawdź czy są one przyłączone i prawidłowo zamocowane. Korzystanie z urządzenia odsysającego pył może zmniejszyć zagrożenie pyłami.

h) Nie pozwól aby znajomość urządzenia, pozwoliła na ignorowanie zasad bezpieczeństwa. Nieostrożne działanie może doprowadzić do poważnych obrażeń w ciągu sekund.

4) Użytkowanie i pielęgnacja elektronarzędzi.

a) Nie należy przeciągać urządzenia. Używaj narzędzi odpowiednich do danego zastosowania. Prawidłowe narzędzie wykona zadanie lepiej i bezpieczniej w podanym zakresie sprawności.

b) Nie należy używać urządzenia, jeśli nie można go włączyć lub wyłączyć za pomocą odpowiedniego przełącznika. Urządzenia, które nie mogą być kontrolowane za pomocą przełącznika są niebezpieczne i muszą zostać oddane do naprawy.

c) Przed dokonaniem regulacji, wymiany akcesoriów lub przechowywaniem elektronarzędzia odłącz wtyczkę od źródła zasilania i / lub akumulator od urządzenia. Te prewencyjne środki bezpieczeństwa zmniejszają ryzyko przypadkowego uruchomienia elektronarzędzia.

d) Nieużywane elektronarzędzie przechowuj w miejscu niedostępnym dla dzieci i nie dopuszczaj do nich osób nie znających elektronarzędzi lub ich instrukcji obsługi. Elektronarzędzia stanowią niebezpieczeństwo w rękach niedoświadczonych użytkowników.

e) Przeprowadzaj konserwację elektronarzędzi. Sprawdź urządzenie pod kątem nieprawidłowego ustawienia lub zablokowania elementów ruchomych, pęknięć części lub innych usterek, które mogą mieć negatywny wpływ na funkcjonowanie urządzenia. W przypadku usterek należy naprawić uszkodzenia przed ponownym użyciem. Niewłaściwa konserwacja elektronarzędzi jest przyczyną wielu wypadków.

f) Utrzymuj narzędzia tnące w czystości i dobrze naostrzone. Dłabane narzędzia tnące z ostrymi krawędziami tnącymi rzadziej się zacinają i łatwiej nimi sterować.

g) Używaj elektronarzędzia, akcesoria, końcówki itp. zgodnie z tymi instrukcjami, biorąc pod uwagę warunki pracy i realizowane zadania. Używanie narzędzi do wykonywania prac niezgodnych z ich przeznaczeniem może doprowadzić do niebezpiecznych sytuacji.

h) Utrzymuj rękojeści oraz powierzchnie uchwytów suchą, czystą bez oleju i smaru. Śliskie uchwyty nie zapewniają bezpiecznej obsługi i kontroli narzędzia w nieoczekiwanych sytuacjach.

5) Serwis

a) Urządzenie powinno być serwisowane przez wykwalifikowany personel naprawy przy użyciu wyłącznie oryginalnych części zamiennych. Zagwarantuje to bezpieczeństwo elektronarzędzia.

Bezpieczeństwo korzystania z myjki wysokociśnieniowej

- Nie wolno korzystać z urządzenia podczas deszczu. Wszystkie złącza elektryczne muszą pozostać suche. Nie należy pozwolić na zamoknięcie ani dopuścić, aby woda dostała się do połączeń wentylacyjnych urządzenia.

- Zawsze należy podłączyć izolator (zwany także zawór zwrotny) między myjką ciśnieniową i siecią wody pitnej, aby zapobiec przepływowi zanieczyszczonej wody. Alternatywnie podłącz myjkę ciśnieniową do zbiornika z deszczówką lub innego źródła wody przechowywanej

- Nie należy korzystać z urządzenia przy temperaturze poniżej 0°C.

- Zawsze należy podłączyć czystą wodę do przepływu myjki ciśnieniowej. Uruchomienie myjki na sucho bądź z brudną wodą może spowodować trwałe uszkodzenie pompy. Nigdy też nie należy podłączać myjki ciśnieniowej do ciepłej wody, gdyż może to także spowodować awarię i trwałe uszkodzenie.

- Nigdy nie należy podłączać myjki do dopływu z gorącą wodą. Może to spowodować awarię pompy i trwałe uszkodzenie

- Należy się upewnić, że dopływ wody do myjki ciśnieniowej jest pod stałym ciśnieniem. Jeśli woda jest dostarczana także do innego urządzenia (jak pralka na przykład) należy się upewnić, że to urządzenie jest wyłączone.

- Myjka ciśnieniowa zawsze powinna się znajdować w pozycji pionowej.

- Należy pamiętać o sile odrzutu z lancy podczas pracy urządzenia, w związku z, czym należy ją trzymać bezpiecznie.

- Nigdy nie wolno kierować wody w stronę ludzi bądź zwierząt. Ciśnienie wody jest niezmiernie wysokie i może spowodować poważne obrażenia ciała.

- Trzymaj lancę bezpiecznie i nie pozwól by dysza uderzyła o ziemię, a przewód został skrócony, skruszony czy napięty.

- Nigdy nie wolno korzystać z myjki na materiałach zawierających azbest.

- Podczas użycia detergentów bądź oczyszczania powierzchni z oleju, należy wziąć odpowiedzialność za wszelkie nagromadzone ścieki. Zawsze należy wziąć pod uwagę środowisko i ryzyko zanieczyszczenia i innych ścieków wodnych, plus możliwość zanieczyszczenia gromadzących się w glebie. Staraj się używać detergentów z umiarem – gdyż nie zawsze są konieczne. Skontaktuj się z lokalnym wydziałem ochrony

Przedstawienie produktu

1.	Wąż wysokociśnieniowy na zwijaczu bębnowym
2.	Rączka zwijacza bębnowego
3.	Złącze węża
4.	Hak na przewód zasilania
5.	Przełącznik On/Off
6.	Wejście na dopływ wody
7.	Pojemnik na dyszę
8.	Uchwyt lancy
9.	Przednia rękojeść
10.	Teleskopowa tylna rękojeść
11.	Butelka na detergent
12.	Kółka
13.	Przewód zasilania
14.	Gniazdo bagnetowe rączki lancy
15.	Złącze lancy na wąż wysokociśnieniowy
16.	Uchwyt rękojeści lancy
17.	Spust
18.	Blokada spustu
19.	Dysza
20.	Regulacja ciśnienia
21.	Złącze bagnetowe dyszy
22.	Gniazdo bagnetowe przedłużenia lancy
23.	Złącze bagnetowe przedłużenia lancy
24.	Szpilka czyszcząca
25.	Złącze wejścia węża
26.	Przycisk resetujący tylna rękojeść

Zastosowanie zgodne z przeznaczeniem

Zasilana sieciowo myjka wysokociśnieniowa, przeznaczona do lekkich i średnich prac myjących aut, budynków, oraz innych powierzchni, przy użyciu strumienia zimnej wody.

Rozpakowanie narzędzia

- Ostrożnie rozpakuj i sprawdź narzędzie. Zapoznaj się wszystkimi mechanizmami i funkcjami.
- Upewnij się, że narzędzie zawiera wszystkie części i są one w dobrym stanie. Jeśli brakuje pewnych części lub są one uszkodzone, należy uzupełnić lub wymienić je przed rozpoczęciem korzystania z narzędzia.

Przygotowanie do eksploatacji

- Zawsze należy sprawdzić, czy wszystkie części oraz elementy są bezpiecznie przymocowane, zaś wąż nie jest pozaginany, ani zatknięty
- Należy zawsze nosić odpowiednio wyposażenie ochronne do rodzaju wykonywanej pracy. Użycie narzędzia wymaga założenia okularów ochronnych oraz ubrania wodoodpornego
- Zawsze należy korzystać z wyłącznika RCD podczas podłączenia myjki wysokociśnieniowej do głównego zasilania, o prądzie działania większym niż 30 mA, a także opóźnień w eksploatacji nie większym niż 30 ms
- Upewnij się, że zasilanie sieciowe znajduje się poza zasięgiem strumienia wody, które mogą się gromadzić w otoczeniu

- Należy korzystać wyłącznie z przedłużacza przeznaczonego do użycia na zewnątrz oraz zdolnego do przewożenia wymaganego prądu dla danego produktu. Kabel musi być zabezpieczony przed wnikaniem wody i utrzymaniem wodoszczelnego połączenia z myjką wysokociśnieniową
- Urządzenie musi być uziemione, zaś wszelkie kable muszą posiadać uziemione podłączenie
- Należy zawsze korzystać z myjki wysokociśnieniowej pionowo, upewniając się jednocześnie, że znajduje się na płaskim i wypoziomowanym podłożu

Montaż

- Nie podłączaj myjki wysokociśnieniowej do źródła wody, bądź prądu, dopóki urządzenie nie będzie w pełni zmontowane i gotowe do użycia
- Zdejmij opakowanie z urządzenia

Haków i uchwytów

- Wsuń uchwyt lancy (8) do dołu na klips (Rys. I)
- Wsuń pojemnik na dyszę (7) na klips (Rys. II) i przymocuj za pomocą odpowiedniego wkrętu
- Wsuń hak na przewód zasilania (4) na klips (Rys. III)

Lancy

- W celu zmontowania lancy, podłącz dyszę (19) do przedłużenia lancy, a następnie do uchwytu lancy (Zdjęcie A)
- Przymocuj złącze bagnetowe dyszy (9) do gniazda bagnetowego przedłużenia lancy (22), po czym pchnij i przekręć do zablokowania (Zdjęcie B)
- Umieść złącze bagnetowe przedłużenia lancy (23) do gniazda bagnetowego rączki lancy (14), po czym pchnij i obróć do zablokowania (Zdjęcie C)

Uwaga: W przypadku niekorzystania, zmontowana lancia może być trzymana w uchwycie lancy (8) z dyszą (19) w pojemniku na dyszę (7) (Zdjęcie D).

Węża wysokiego ciśnienia

1. Zdejmij plastikową zaślepkę ze złącza na wąż wysokiego ciśnienia (1) (Zdjęcie E)
 2. Przymocuj złącze lancy na wąż wysokociśnieniowy (15) (Zdjęcie F) i przykręć nakrętkę
- OSTRZEŻENIE:** Jeśli wąż wysokiego ciśnienia został uszkodzony może się rozzerwać i doprowadzić do obrażeń. Uszkodzony wąż musi zostać wymieniony, nienaprawiony. Regularnie przeprowadzaj kontrolę, zapobiegaj kontaktom węża z ostrymi przedmiotami/powierzchniami.

Podłączenie do źródła wody

OSTRZEŻENIE: W przypadku podłączenia myjki wysokociśnieniowej do domowego dopływu wody, należy pamiętać o zamontowaniu zaworu jednokierunkowego na wężu (znanego również jako izolator). Zapobiegnie to zanieczyszczeniu dopływu wody w przypadku przepływu zwrotnego

1. Zdejmij plastikową nakrętkę z wejścia na dopływ wody (6) (Rys. IV) i sprawdź, czy filtr w środku jest czysty; jeśli nie należy go oczyścić
2. Zamontuj złącze wejścia węża (21) (Rys. V) i przykręć ręką
3. Podłącz wąż ze źródła wody do złącza wejścia węża

Uwagi:

- Dane techniczne zawierają specyfikację dotyczącą odpowiedniego ciśnienia wody. Standardowe ciśnienie w domowym zaopatrzeniu wodnym waha się pomiędzy 1-8 barów, jednakże 2-5 jest najczęściej spotykane. Nie wolno, zatem przekraczać maksymalnego ciśnienia wody stwierdzonego w 'Danych technicznych'
- Jeśli nie wiesz, bądź nie masz możliwości dokonania pomiaru ciśnienia wody, utrzymaj niskie ciśnienie, aby zapobiec uszkodzonom myjki wysokociśnieniowej. Staraj się ustawić średni stopień ciśnienia, pomiędzy najniższym a najwyższym na myjce. Jeśli preferujesz trzeci wskaźnik ciśnienia wody, istnieje możliwość bezpośredniego podłączenia wody do kranu. Pozwoli to na bardziej dokładne ustawienie ciśnienia wody
- Nie wolno podłączać źródła gorącej wody. Uniemożliwi to pompie schłodzenia i doprowadzi do zniszczenia uszczeliek
- Bardzo istotne jest utrzymanie poprawnego podłączenia wody podczas pracy myjką wysokociśnieniową, w przeciwnym razie pompa ulegnie zniszczeniu bez doprowadzania wody. Upewnij się, że wszystkie łączenia są poprawne przed uruchomieniem myjki

Podłączenie do innego źródła wody

Uwaga: Myjka wysokociśnieniowa jest wyposażona w pompę z funkcją samozasysającą która pozwala na użycie innych źródeł wody zazwyczaj tygła wodnego lub innego pojemnika na wodę deszczową.

- Upewnij się, że woda jest czysta i filtrowana przed podłączeniem do myjki wysokociśnieniowej. Upewnij się, że nie ma osadów
- W przypadku butli wodnych, gdzie wystol jest dołu, grawitacja zapewni Ci pewne ciśnienie, aby wspomóc myjkę
- Wąż do dopływu wody nie powinien przekraczać 3 m długości, a średnica nie powinna być mniejsza niż 19 mm lub ¾"

Wypełnienie butelki na detergent

- Zdejmij nakrętkę z butelki na detergent (11) i wypełnij odpowiednim detergentem (Zdjęcie I)
- Myjka wysokociśnieniowa jest przeznaczona do dozowania detergentu przy ustawieniach niskiego ciśnienia, zaś czystej wody pod wysokim ciśnieniem
- Stosunek detergentu jest zmienny w zależności od ustawienia regulatora ciśnienia

Regulacja tylniej teleskopowej rękojści

- Wciśnij przycisk resetujący tylną rękojść (26) i podnieś teleskopową rączkę (10) (Zdjęcie K)

Obsługa

Włączanie

- Zawsze należy otworzyć dopływ wody przed włączeniem, aby zapobiec uszkodzeniu pompy
- Ustaw blokade spustu (18), aby zapobiec przypadkowemu wciśnięciu spustu (17) (Zdjęcie J)
- Podłącz myjkę do zasilania głównego i przełącz przełącznik On/Off (5) na pozycję 'On' (Rys. V). Pompa zacznie natychmiast działać, aby zbudować ciśnienie i każdorazowo po wciśnięciu spustu przywrócić ciśnienia wody. W przypadku wciśnięcia przełącznika On po raz pierwszy, pompa może pracować ciągle do momentu wciśnięcia spustu. Nie należy pozwolić, aby ten czas przekroczył 3 minuty. Wciśnij i zwolnij spust, aby dezaktywować ten tryb, najlepiej rozpocząć w ciągu 2 minut od naciśnięcia przełącznika „On”
- Upewnij się, że całe powietrze zostało spuszczone z węzami i lany przed użyciem myjki ciśnieniowej. Należy, zatem wyłączyć blokadę spustu, ścisnąć i przytrzymać spust, aż woda zostanie rozpylana stałym strumieniem. Może to potrwać nawet do dwóch minut, a możliwe, że dłużej przy pierwszym użyciu

Wyłączanie

- Po zakończeniu pracy z myjką ciśnieniową należy postępować zgodnie z instrukcjami opisanymi poniżej:
- 1. Wyłącz maszynę i odłącz od zasilania głównego
- 2. Wyłącz dopływ wody
- 3. Ścisnij spust (17) i pozwól na uwolnienie resztek wody
- 4. Odłącz dopływ wody
- 5. Wylej resztkę wody z maszyny oraz węża, a następnie przechowaj w czystym i suchym miejscu

OSTRZEŻENIE: Nie wyłączaj dopływu wody przed wyłączeniem pompy, gdyż nie może dojść do sytuacji, w której będzie pracować bez wody

OSTRZEŻENIE: Nigdy nie odłączaj węża wysokiego ciśnienia na żadnym końcu, bez uwolnienia ciśnienia.

Korzystanie z myjki wysokociśnieniowej

- Aby uruchomić zraszanie, należy trzymać lancę obiema rękoma, nacisnąć spust (17). Należy mieć świadomość niewielkiego odrzutu po uruchomieniu.
- Aby unieruchomić spust, użyj blokady spustu (18), w razie konieczności (Zdjęcie J)
- Dysza (19) może być regulowana między szerokim strumieniem, a mocnym wąskim strumieniem (Rys.VII)
- Zaleca się rozpoczęcie z dyszą obróconą w prawą stronę (wzór szeroki) i eksperymentowanie z węższymi strumieniami oraz różnymi odległościami, do momentu osiągnięcia żądanego strumienia
- Użyj regulacji ciśnienia (20) (Rys. VII) do jego poprawnego ustawienia. Zwolnij spust przy zmianie ustawień
- Myjka wysokociśnieniowa chroni silnik przed przegrzaniem, w przypadku zbyt długiej ciągłej pracy, blokując spust przed działaniem. Wymieniana funkcja zostanie zresetowana po schłodzeniu w ciągu kilku minut. Zaleca się zaplanowanie schematu pracy, który zapobiegnie uruchomieniu funkcji przegrzania silnika
- Jeśli nie jesteś pewny, co do wytrzymałości powierzchni myjącej, zaleca się nie stosowanie wąskiego strumienia, zmniejszenie ciśnienia pracy i rozpoczęcie pracy ze zwiększonej odległości od powierzchni pracy
- Zaleca się trzymanie lancy pod kątem 45° w stosunku do powierzchni myjącej. Gwarantuje to zmaksymalizowanie kontroli i większą efektywność czyszczenia
- Przed rozpoczęciem pracy zaleca się przetestowanie detergentu oraz siły natrysku, względem uszkodzenia powierzchni czyszczonej, np. zaprawa pomiędzy ceglami bądź płytami balkonowymi może zostać łatwo usunięta przez wodę

Korzystanie z dozownika detergentu

- Wiele produktów dostępnych na rynku mają przeznaczenie zastosowania z myjką wysokociśnieniową, w tym: środki czyszczące do patio, szkła, płyny do czyszczenia samochodów, środki do czyszczenia drewna i tworzyw sztucznych oraz wiele innych detergentów
- Wypełnij butelkę detergentu (11) odpowiednim środkiem myjącym
- Dozuj detergent przy ustawieniach niskiego ciśnienia, poprzez dostosowanie regulacji ciśnienia (20) (Rys. VII), które są zaznaczone „+” i „-“
- Zwiększ ciśnienie przy użyciu regulacji ciśnienia, po czym zacznij spryskiwać

Uwagi:

- Typowa kolejność czyszczenia z detergentem powinna się rozpocząć od czyszczenia czystą wodą w celu usunięcia wierzchniej warstwy brudu, kolejno użycie piany, na końcu zaś splukanie czystą wodą
- Piana z detergentu wymaga chwili do zadziałania na powierzchni. Dlatego należy odczekać około 2 do 5 minut po nałożeniu detergentu w postaci piany, przed splukaniem wodą – to idealny czas, aby użyć szcztoki, gdzie większy brud się osadził. Nie pozwól, aby piana zaschnęła na powierzchni, np. podczas gorącego dnia, kiedy nie mamy ograniczonego czasu dozowania detergentu i płukania w zależności od powierzchni
- Nie używaj detergentów, które nie zostały przeznaczone do użycia z myjką wysokociśnieniową. Mogą zawierać chemikalia, które doprowadzą do uszkodzenia uszczek urządzenia
- Przeczytaj niniejszą instrukcję zarówno z informacją dotyczącą do detergentu – zwłaszcza, jeśli jest to koncentrat. Rozcieńczenie zgodne z zaleceniami detergentu zapewni skuteczne czyszczenie bez konieczności użycia nadmiernej ilości płynu.

Akcesoria

- Szeroki zakres akcesoriów, w tym: szcztok oraz materiałów eksploatacyjnych jest dostępny u dystrybutora marki Silverline. Części zamienne możliwe do zakupienia na stronie online www.toolsparsonline.com.

Konserwacja

Czyszczenie

- Należy zawsze dbać o czystość urządzenia przez cały czas
- Zawsze należy opróżnić wodę z urządzenia przed przechowaniem
- Dysza lancy (19) może zostać zabrudzona, bądź zapchać się, wraz ze wzrostem użycia, co może mieć negatywny wpływ na efektywność pracy. Wyczyść lancę przy wykorzystaniu szpilki czyszczącej (24) (Zdjęcie L). Wąż ogrodowy także może być do tego wykorzystany poprzez przepłukanie dyszy wodą. Użycie szpilki oraz przepłukanie dyszy wodą z węża sprawi, że zostanie ona dokładnie wyczyszczona. Częste wykonywanie tego procesu zależy od jakości wód
- Regularnie dokonuj sprawdzenia filtra złącza doprowadzającego wodę (25). Filtr musi być sprawdzany regularnie, upewniając się, że jest czysty. Zdejmij złącze węża aby się dostać do filtra

Przechowywanie

- Należy przechowywać narzędzie w bezpiecznym, suchym miejscu gdzie temperatura nie spadnie poniżej 0°C

Utylizacja

Należy zawsze przestrzegać przepisów krajowych dotyczących utylizacji urządzeń, które są już funkcjonalne i nie nadają się do naprawy.

- Nie wyrzuć urządzeń lub innych odpadów elektrycznych i elektronicznych (WEEE) wraz z odpadami komunalnymi.
- Skontaktuj się z władzami lokalnymi zajmującymi się utylizacją odpadów, aby uzyskać informacje na temat prawidłowego sposobu utylizacji urządzeń

Wykrywanie i usuwanie usterek

Problem	Możliwa przyczyna	Rozwiązanie
Detergent nie jest pobierany ze zbiornika	Zablokowana dysza dozownika na detergeny	Wyczyść przy pomocy czystej wody
Wydobywający się dym	Przeciążony lub uszkodzony silnik	Zakończ użycie. Skontaktuj się natychmiast z dystrybutorem Silverline
Myjka ciśnieniowa nie została uruchomiona	Brak ciśnienia	Ścisnij spust na lancy przed rozpoczęciem pracy
	Wtyczka główna nie została poprawnie włożona	Dokonaj sprawdzenia i popraw w razie potrzeby
	Uruchomiony wyłącznik RCD nie został zresetowany	Zresetuj wyłącznik RCD
	Uszkodzony bezpiecznik	Dokonaj wymiany bezpiecznika i skontaktuj się niezwłocznie z dystrybutorem, jeśli ponownie wybuchnie
	Uruchomione zabezpieczenie przeciw przegrzaniu	Wylącz maszynę i odczekaj do momentu schłodzenia się silnika przed ponownym uruchomieniem
Kiepskie ciśnienie natrysku	Zablokowany filtr wodny	Wyczyść filtr
	Podłączenie węża przecieka, bądź powietrze przedostaje się do środka	Sprawdź podłączenie węża
	Zużyty albo uszkodzony zawór, bądź uszczelka	Skontaktuj się natychmiast z dystrybutorem, bądź autoryzowanym centrum serwisowym
Wahania ciśnienia wody	Pompa zasysa powietrze	Sprawdź podłączenie wody
	Zapchana dysza	Przejdź do podrozdziału 'Konserwacja' w celu wyczyszczenia blokady
Nagle zatrzymanie się silnika	Uruchomione zabezpieczenie przeciw przegrzaniu	Wylącz maszynę i odczekaj do momentu schłodzenia się silnika przed ponownym uruchomieniem
Przeciek wody z maszyny	Zużyta uszczelka	Skontaktuj się natychmiast z dystrybutorem, bądź autoryzowanym centrum serwisowym

Gwarancja narzędzi Silverline

Niniejszy produkt Silverline posiada 3 letnią gwarancję

Aby zakwalifikować się do uzyskania powyższej gwarancji należy zarejestrować niniejszy produkt na stronie www.silverlinetools.com w ciągu 30 dni od daty zakupu. Okres gwarancji rozpoczyna się w dniu zakupu produktu widocznym na paragonie.

Rejestracja produktu

Rejestracji produktu można dokonać na stronie www.silverlinetools.com, wybierając przycisk „Rejestracja”. Należy wprowadzić:

- Dane osobowe
- Szczegóły dotyczące produktu oraz informacje dotyczące zakupu

Po wprowadzeniu tych informacji zostanie utworzony certyfikat gwarancji niniejszego produktu, jako dokument w formie PDF, który należy wydrukować i zachować wraz z dowodem zakupu.

Zasady i warunki

Okres gwarancji zaczyna obowiązywać od daty zakupu detalicznego znajdującej się na paragonie.

PROSIMY O ZACHOWANIE PARAGONU

Jeśli produkt wykaże jakiegokolwiek usterki w ciągu 30 dni od daty zakupu, należy go zwrócić do dystrybutora/sklepu, w którym towar zakupiono, od którego został zakupiony okazując przy tym dowód zakupu.

Jeśli usterka pojawi się po 30 dniach, należy zwrócić produkt do:

Silverline Tools Service Centre

PO Box 2988

Yeovil

BA21 1WU, UK

Roszczenia gwarancyjne należy zgłaszać w okresie gwarancji. Należy dostarczyć dowód zakupu, swoje imię i nazwisko, adres miejsca zakupu przed wykonaniem jakichkolwiek napraw.

Należy podać dokładne dane usterki wymagające naprawy.

Wnioski złożone w okresie gwarancji będą weryfikowane przez Silverline Tools, do ustalenia czy usterki są związane z materiałem lub wyrobem produktu.

Koszty transportu nie zostaną pokryte. Produkt przeznaczony do zwrotu musi być starannie oczyszczony. Należy zapakować produkt prawidłowo i bezpiecznie tak, aby nie został uszkodzony podczas transportu do nas. Możemy odrzucić roszczenia niewłaściwie dostarczonych produktów.

Wszystkie naprawy będą przeprowadzone przez firmę Silverline Tools lub agencję upoważnioną do tego.

Naprawa lub wymiana produktu nie przedłuży okresu gwarancyjnego.

Usterki uznane przez nas, jako objęte gwarancją będą poddane naprawie bezpłatnie (bez kosztów transportowych) lub poprzez wymianę na narzędzie pracujące w idealnym stanie.

Narzędzia lub części zamienne, do których wydano zamiennik staną się własnością Silverline Tools.

Naprawa lub wymiana produktu w ramach gwarancji zapewnia korzyści, które są dodatkami i nie wpływają w żaden sposób na ustawowe prawa konsumenta.

Gwarancja pokrywa:

Naprawę produktu (w okresie gwarancji), jeśli zostanie on zakwalifikowany zgodnie z wymogami Silverline Tools w związku z usterekami, które wynikły z wad materiałowych lub wad związanych z produkcją.

Jeżeli jakaś część zastępcza nie jest już dostępna lub wycofana z produkcji, Silverline Tools zastąpi ją funkcjonalnym zamiennikiem.

Produkty używane w EU.

Czego nie pokrywa gwarancja:

Silverline Tools nie pokrywa napraw powstałych w wyniku:

- normalnego zużycia spowodowanego przez normalne użytkowanie zgodnie z instrukcją obsługi, np.: noże, szczotki, pasy, żarówki akumulatory itp.
- wymiany dowolnego dołączonego wyposażenia np.: noży, wiertel, papieru ściernego, tarcz do cięcia i innych podobnych elementów.
- przypadkowego uszkodzenia spowodowanego niewłaściwym użytkowaniem lub zaniedbaniami, nieostrożnym działaniem lub niestaranym obchodzeniem się z produktem.
- stosowania produktu do innych celów.
- zmiany lub modyfikacji produktu w jakikolwiek sposób.
- usterek wynikających z wykorzystania części zamiennych i akcesoriów, które nie są oryginalnymi elementami Silverline Tools.
- niewłaściwej instalacji (z wyjątkiem instalacji przeprowadzonej Silverline Tools).
- naprawy lub modyfikacji przeprowadzonej przez osoby inne niż z Centrum Usług Silverline Tools lub autoryzowanych punktów serwisowych.
- roszczeń innych niż związanych z usterkami ujętymi w gwarancji produktu.

Deklaracja Zgodności WE

Niżej podpisany: Mr Darrell Morris

upoważniony przez: Silverline

Oświadcza, że:

Powyzsza deklaracja została wydana na wyłączną odpowiedzialność producenta.

Opisany powyżej przedmiot deklaracji jest zgodny z właściwymi przepisami Unijnego prawodawstwa harmonizacyjnego

Kod identyfikacyjny: 943676

Opis: Myjka wysokociśnieniowa 2100 W

Produkt jest zgodny z następującymi dyrektywami oraz normami:

- Dyrektywa maszynowa 2006/42/EC
- Dyrektywa kompatybilności elektromagnetycznej 2014/30/EU
- Dyrektywa RoHS 2011/65/EU
- Dyrektywa halasowa 2000/14/EC
- EN 60335-1:2012+A11:2014
- EN 60335-2-79:2012
- EN 62233:2008
- EN 55014-1:2006+A1:2009+A2:2011
- EN 55014-2:2015
- EN 61000-3-2:2014
- EN 61000-3-3:2013

Zastosowana metoda oceny zgodności

2000/14/EC: Annex III

Poziom mocy akustycznej dB (A)

Mierzony: 89,71

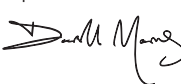
Gwarantowany: 92

Zastosowana dyrektywa oceny zgodności: SGS

Dokumentacja techniczna produktu znajduje się w posiadaniu: Silverline

Data: 21/04/2017

Podpis:



Mr Darrell Morris

Dyrektor naczelny

Nazwa i adres producenta:

Powerbox International Limited, Company No. 06897059. Registered address: Powerbox, Boundary Way, Lufton Trading Estate, Yeovil, Somerset BA22 8HZ, United Kingdom.



GB 3 Year Guarantee. Register online within 30 days. Terms and Conditions apply.

FR Garantie de 3 ans. Enregistrez votre produit en ligne dans un délai de 30 jours suivant la date d'achat. Des conditions générales s'appliquent.

DE 3 Jahre Garantie. Innerhalb von 30 Tagen online registrieren. Es gelten die Allgemeinen Geschäftsbedingungen

ES 3 años de garantía. Registre su producto online durante los primeros 30 días. Se aplican términos y condiciones.

IT 3 anni di garanzia. Registra il tuo prodotto on-line entro 30 giorni dall'acquisto. Vengono applicati i termini e le condizioni generali.

NL 3 jaar garantie. Registreer uw product binnen 30 dagen online. Algemene voorwaarden zijn van toepassing

PL 3 Letnia Gwarancja. Zarejestruj się online w ciągu 30 dni. Obowiązują Zasady i Warunki

silverlinetools.com